



Magnetic Cylinder Sensors with a Compact Design

BMF 214 Global



BMF 214	BMF 214	BMF 214	BMF 214	BMF 214
Small housing for the SMC C-slot with M8 connector	Small housing V-Twin for the SMC C-slot with M8 connector	Small housing for the SMC C-slot with M12 connector	Small housing V-Twin for the SMC C-slot with M12 connector	Small housing for the SMC C-slot with PUR cable
BMF00A2	BMF00A5	BMF00FC	BMF00A4	BMF00A1
BMF 214K-PS-C-2A-SA2-S49-00,3	BMF 214K-PS-C-2A-SA95-S75-00,3	BMF 214K-PS-C-2A-SA2-S4-00,3	BMF 214K-PS-C-2A-SA95-S4-00,3	BMF 214K-PS-C-2A-PU-02
10...30 V DC	10...30 V DC	10...30 V DC	10...30 V DC	10...30 V DC
≤ 2.5 V	≤ 2.5 V	≤ 2.5 V	≤ 2.5 V	≤ 2.5 V
75 V DC	75 V DC	75 V DC	75 V DC	75 V DC
100 mA	100 mA	100 mA	100 mA	100 mA
≤ 8 mA	≤ 8 mA	≤ 8 mA	≤ 8 mA	≤ 8 mA
Yes/Yes	Yes/Yes	Yes/Yes	Yes/Yes	Yes/Yes
1.2 kA/m (15 Gauss)	1.2 kA/m (15 Gauss)	1.2 kA/m (15 Gauss)	1.2 kA/m (15 Gauss)	1.2 kA/m (15 Gauss)
≥ 2 kA/m (25 Gauss)	≥ 2 kA/m (25 Gauss)	≥ 2 kA/m (25 Gauss)	≥ 2 kA/m (25 Gauss)	≥ 2 kA/m (25 Gauss)
≤ 0.3%/°C	≤ 0.3%/°C	≤ 0.3%/°C	≤ 0.3%/°C	≤ 0.3%/°C
≤ 0.07 ms/≤ 0.07 ms	≤ 0.07 ms/≤ 0.07 ms	≤ 0.07 ms/≤ 0.07 ms	≤ 0.07 ms/≤ 0.07 ms	≤ 0.07 ms/≤ 0.07 ms
-25...+85 °C	-25...+85 °C	-25...+85 °C	-25...+85 °C	-25...+85 °C
IP 67	IP 67	IP 67	IP 67	IP 67
CE, cULus	CE, cULus	CE, cULus	CE, cULus	CE, cULus
-25...+85 °C	-25...+85 °C	-25...+85 °C	-25...+85 °C	-25...+85 °C
0.3 m PUR cable with M8 connector, 3-pin	0.3 m PUR cable with M8 connector, 4-pin	0.3 m PUR cable with M12 connector, 4-pin	0.3 m PUR cable with M12 connector, 4-pin	2 m PUR cable,
BCC M313-0000-10-001-VX43T2-050-C013	BCC M314-0000-10-003-VX44T2-050-C013	BCC M415-0000-1A-003-VX44T2-050-C013	BCC M415-0000-1A-003-VX44T2-050-C013	28 AWG
Slide-in	Slide-in	Slide-in	Slide-in	Slide-in
∩ C-slot (rounded slot)	∩ C-slot (rounded slot)	∩ C-slot (size 10 slot)	∩ C-slot (rounded slot)	∩ C-slot (rounded slot)



Magnetic cylinder sensors
Magnetic cylinder sensors with mounting system

Magnetic cylinder sensors with a compact design

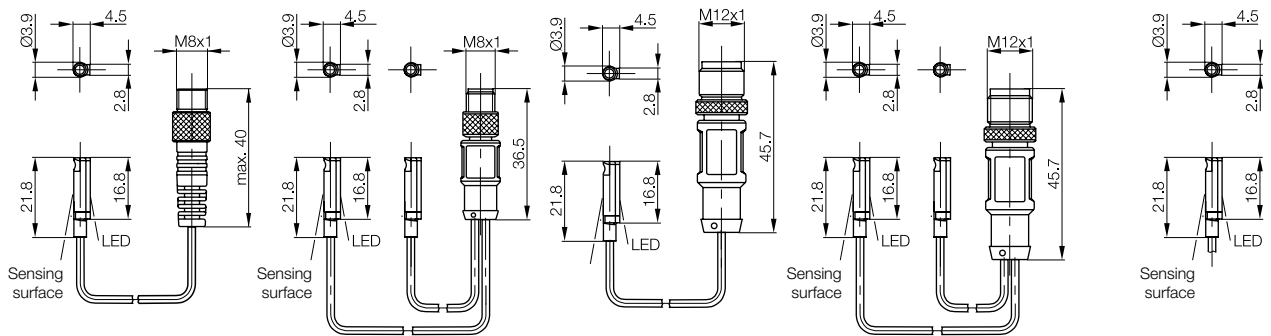
BMF 204 Global
BMF 214 Global
BMF 243 Global
BMF 235 Global
BMF 307

Magnetic cylinder sensors with special properties

Magnetic sensors for object detection

Magneto-inductive displacement sensors for analog position measurement

Accessories for magnetic cylinder sensors



Recommended accessories (please order separately)



Special accessories for magnetic cylinder sensors, such as **installation tools, cable clips, or tube cuffs**, can be found in this catalog on page 910.