



### 150AMP-MODEL BS1F150D75M



Model BS1F150D75M - 150Amp / 75 VDC  
Input: 7.5-32VDC/4-20mA, Output : 5-75VDC  
Input LED Indication : **Green**  
ON State Voltage Drop :  $\leq 0.2$ VDC  
Body isolation : 2.5kV for 1min  
I/P. to O/P. isolation : 2.5kV for 1min  
Load Current : 120Amp @55 °C  
With Heat Sink A-100+Din  
Turn ON time : 2.5 mS,  
Turn OFF time : 40  $\mu$ S

### 100AMP-MODEL BS1F100D55M



Model BS1F100D55M - 100Amp / 55 VDC  
Input: 7.5-32VDC/4-20mA, Output : 5-55VDC  
Input LED Indication : **Green**  
ON State Voltage Drop :  $\leq 0.5$ VDC  
Body isolation : 2.5kV for 1min  
I/P. to O/P. isolation : 2.5kV for 1min  
Load Current : 75Amp @55 °C  
With Heat Sink A-100+Din  
Turn ON time : 2.5 mS,  
Turn OFF time : 40  $\mu$ S

### 15AMP-MODEL BS1F15D200M



Model BS1F15D200M - 15Amp / 200VDC  
Input: 3-32VDC/4-20mA, Output : 5-200VDC  
Input LED Indication : **Green**  
ON State Voltage Drop :  $\leq 1$ VDC  
Body isolation : 2.5kV for 1min  
I/P. to O/P. isolation : 2.5kV for 1min  
Load Current : 10Amp @55 °C  
With Heat Sink G-68+Din  
Turn ON time : 2.5 mS Turn OFF time : 40  $\mu$ S

### 25AMP-MODEL BS1F25D200M



Model BS1F25D200M - 25Amp / 200VDC  
Input: 7.5-32VDC/4-20mA, Output : 5-200VDC  
Input LED Indication : **Green**  
ON State Voltage Drop :  $\leq 1$ VDC  
Body isolation : 2.5kV for 1min  
I/P. to O/P. isolation : 2.5kV for 1min  
Load Current : 15Amp @55 °C  
With Heat Sink G-68+Din  
Load Current : 20Amp @55 °C  
With Heat Sink A-45+Din  
Turn ON time : 2.5 mS, Turn OFF time : 40  $\mu$ S

**Note** : Specifications are subject to change without prior notice.

Web: [www.biltekelektrik.com](http://www.biltekelektrik.com) Email : [info@biltekelektrik.com](mailto:info@biltekelektrik.com)

Tel: +90-212-545-73-50, Fax: +90-212-545-73-50

### 14AMP-MODEL BS1F14D500M



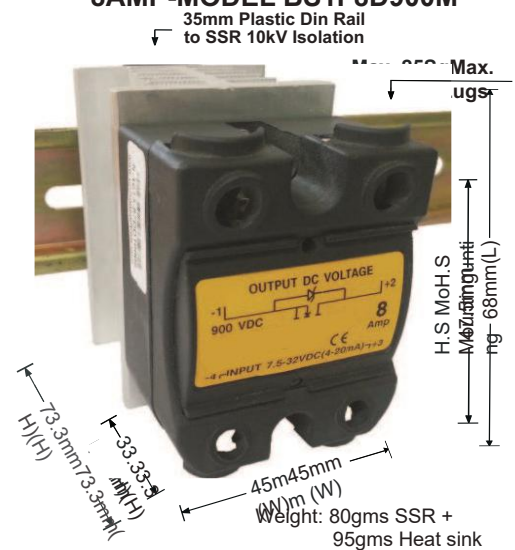
Model BS1F14D500M - 14Amp / 500VDC  
 Input: 7.5-32VDC/4-20mA, Output : 5-500VDC  
 Input LED Indication : **Green**  
 ON State Voltage Drop :  $\leq 1.8$ VDC  
 Body isolation : 2.5kV for 1min  
 I/P. to O/P. isolation : 2.5kV for 1min  
 Load Current : 10Amp @55 °C  
 With Heat Sink G-68+Din  
 Turn ON time : 2.5 mS, Turn OFF time : 40  $\mu$ S

### 25AMP-MODEL BS1F25D600M



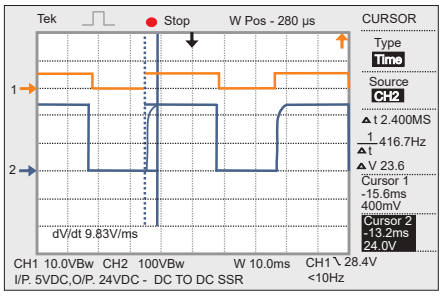
Model BS1F25D600M - 25Amp / 600VDC  
 Input: 7.5-32VDC/4-20mA, Output : 5-600VDC  
 Input LED Indication : **Green**  
 ON State Voltage Drop :  $\leq 1.8$ VDC  
 Body isolation : 2.5kV for 1min  
 I/P. to O/P. isolation : 2.5kV for 1min  
 Load Current : 15AMP @ 55 °C  
 With Heat Sink G-68+DIN  
 Load Current : 19AMP @ 55 °C  
 With Heat Sink A-45+DIN  
 Turn ON time : 2.5 mS, Turn OFF time : 40  $\mu$ S

### 8AMP-MODEL BS1F8D900M

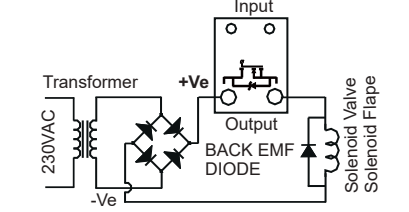


Model BS1F8D900M - 8Amp / 900VDC  
 Input: 7.5-32VDC/4-20mA, Output : 5-900VDC  
 Input LED Indication : **Green**  
 ON State Voltage Drop :  $\leq 8$ VDC  
 Body isolation : 2.5kV for 1min  
 I/P. to O/P. isolation : 2.5kV for 1min  
 Load Current : 5.5Amp @55 °C  
 With Heat Sink G-68+Din  
 Turn ON time : 2.5 mS, Turn OFF time : 40  $\mu$ S

#### Switching Response Time Waveform of Power MOSFET - Input to Output

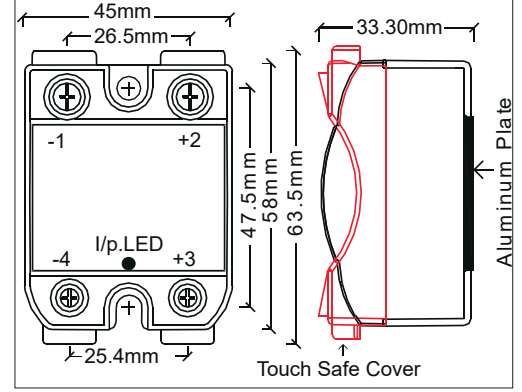


#### Solenoid Valve / DC Load Application

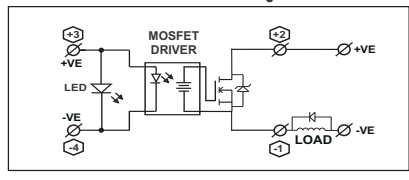


⇒ Power MOSFET works for Unregulated Power Supply (Transistor will not work for Unregulated Power Supply)  
 ⇒ Power MOSFET having voltage drop of milli voltage so less heat generation (transistor having voltage drop more than 1.2VDC so higher heat generation)

#### BS Model Dimension

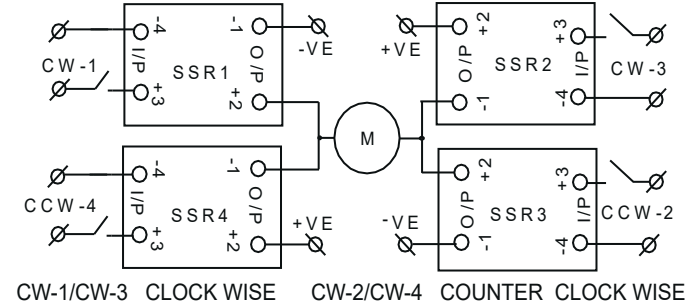


#### DC to DC - Circuit Diagram



Approved By  
**CE**  
 EN-60947-5-1  
**LEAD - FREE**  
**RoHS**  
 COMPLIANT

#### DC to DC Power MOSFET Forward/Reverse of DC motor (H-Bridge)



- ⇒ Enable CW-1 & CW-3 for clock-wise rotation
- ⇒ Enable CCW-2 & CCW-4 for counter clock-wise rotation
- ⇒ Provide interlocking between signals CW-1/CW-3 & CCW-2/CCW-4

**Note :** Specifications are subject to change without prior notice.