

Direct Mounting Style

D-Y59_B/D-Y69_B/D-Y7P(V)



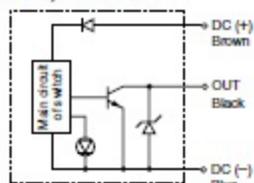
Grommet

Using flexible cable as standard spec.

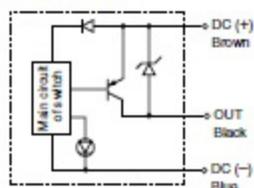


Auto Switch Internal Circuit

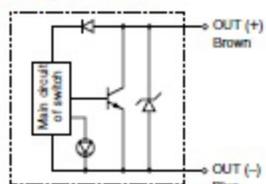
D-Y59A, D-Y69A



D-Y7P, D-Y7PV



D-Y59B, D-Y69B



Auto Switch Specifications



Refer to SMC website for the details of the products conforming to the international standards.

PLC: Programmable Logic Controller

D-Y5□, D-Y6□, D-Y7P, D-Y7PV (With indicator light)						
Auto switch model	D-Y59A	D-Y69A	D-Y7P	D-Y7PV	D-Y59B	D-Y69B
Electrical entry direction	In-line	Perpendicular	In-line	Perpendicular	In-line	Perpendicular
Wiring type	3-wire				2-wire	
Output type	NPN		PNP		—	
Applicable load	IC circuit, Relay, PLC				24 VDC relay, PLC	
Power supply voltage	5, 12, 24 VDC (4.5 to 28 VDC)				—	
Current consumption	10 mA or less				—	
Load voltage	28 VDC or less		—		24 VDC (10 to 28 VDC)	
Load current	40 mA or less		90 mA or less		2.5 to 40 mA	
Internal voltage drop	1.5 V or less (0.8 V or less at 10 mA load current)		0.8 V or less		4 V or less	
Leakage current	100 μA or less at 24 VDC				0.8 mA or less at 24 VDC	
Indicator light	Red LED illuminates when turned ON.					
Standard	CE marking					

• Lead wires — Oilproof flexible heavy-duty vinyl cord, $\phi 3.4$, 0.15 mm², 3 cores (Brown, Black, Blue), 2 cores (Brown, Blue), 0.5 m

Note 1) Refer to page 1272 for solid state auto switch common specifications.

Note 2) Refer to page 1272 for lead wire lengths.

Mass

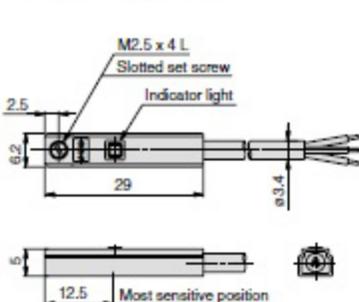
(g)

Auto switch model	D-Y59B	D-Y69B	D-Y59A	D-Y69A	D-Y7P(V)
Lead wire length (m)	0.5	9	10	10	10
	3	50	53	53	53
	5	83	87	87	87

Dimensions

(mm)

D-Y59A/D-Y7P/D-Y59B



D-Y69A/D-Y7PV/D-Y69B

