



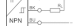
Sensor, Series SC4

- 4 mm C-slot
- with cable
- open cable ends, 3-pin
- electronic PNP, electronic NPN



Certificates	CE declaration of conformity, cULus
Ambient temperature min./max.	-30 ... 80 °C
Protection class	IP65, IP67
Switching point precision mT	±0,1
Nominal current, actuated state	10 mA
Quiescent current (without load)	4 mA
Min./max. DC operating voltage	10 ... 30 V DC
Hysteresis	0,4 mT
Switching logic	NO (make contact)
LED status display	Yellow
Vibration resistance	10 - 55 Hz, 1 mm
Shock resistance	30 g / 11 ms

Technical data

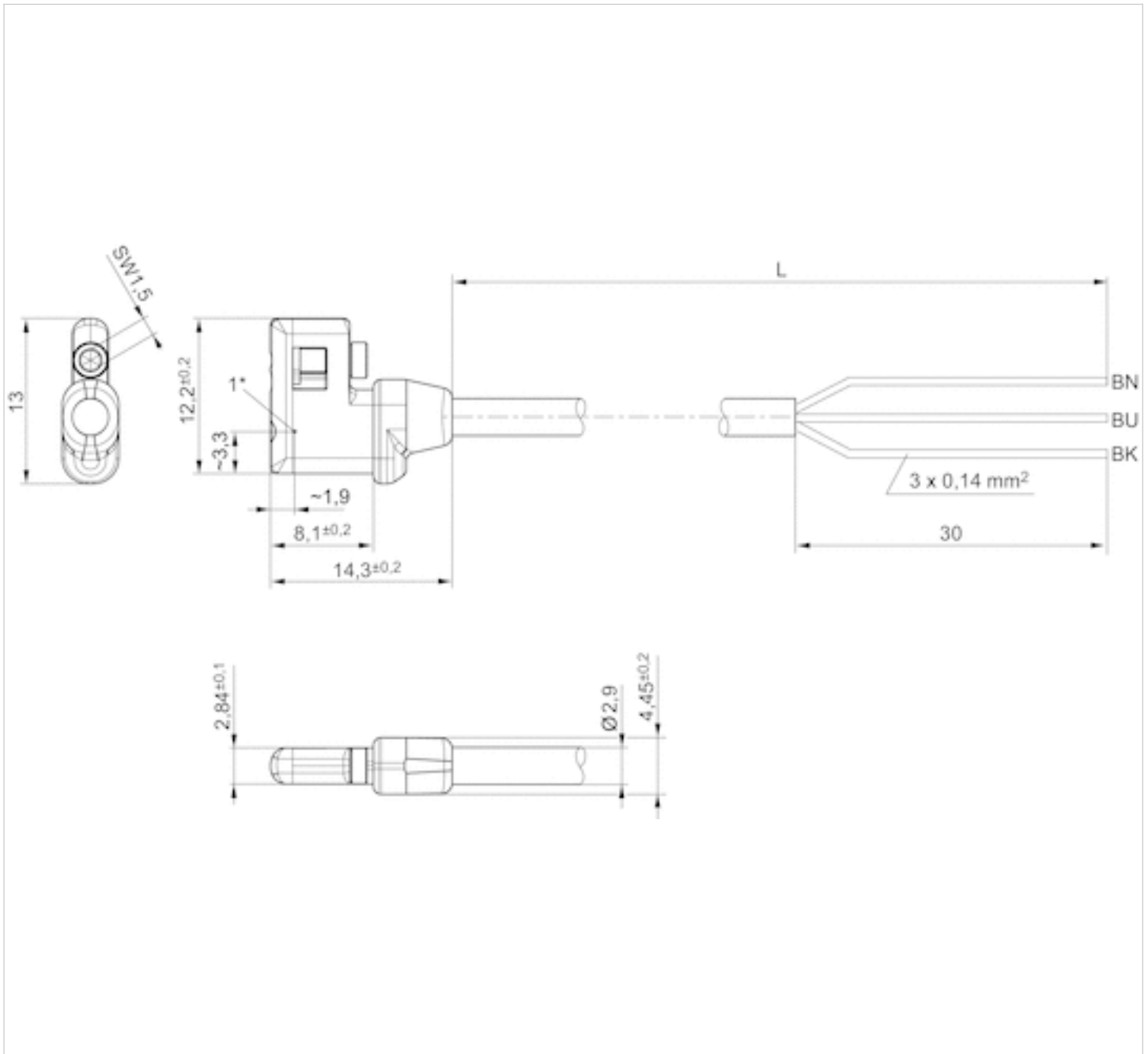
Part No.		Type of contact	Cable length	Voltage drop U at I _{max}	DC switching current, max.
R412026162		electronic PNP	3 m	≤ 2,5 V	0,1 A
R412026163		electronic PNP	5 m	≤ 2,5 V	0,1 A
R412026166		electronic NPN	3 m	≤ 2,5 V	0,1 A

Part No.	Max. switching frequency	Version
R412026162	1,0	Protected against polarity reversal
R412026163	1,0	Protected against polarity reversal
R412026166	1,0	Protected against polarity reversal

Technical information

Material	
Housing	Polyamide
Cable sheath	Polyurethane
Locking screw	Stainless steel

Dimensions



* Switching point