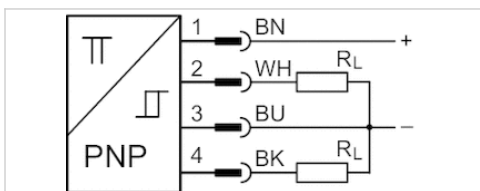


Sensors, Series ST4-2P

- 4 mm C-slot
- number of switching points 2
- with cable
- without wire end ferrule, tin-plated, 4-pin
- electronic PNP
- electronic PNP



Certificates	RoHS
Ambient temperature min./max.	-20 ... 75 °C
Protection class	IP65, IP67
number of switching points	2
Power consumption	15 mA
Min./max. DC operating voltage	12 ... 30 V DC
Repetitive precision,max. measuring range	0,1 mT
Hysteresis	1 mT
Switching logic	NO (make contact)
Display	LED
LED status display	Yellow
Display	2 LED
Vibration resistance	10 - 55 Hz, 1 mm
Shock resistance	30 g / 11 ms
Mounting screw	with hexagon socket

Technical data

Part No.	Type of contact	Cable length	Detection range max.	Voltage drop U at I _{max}	DC switching current, max.	Function
R412010139	electronic PNP	2 m	50 mm	≤ 2,2 V	0,15 A	electronic PNP

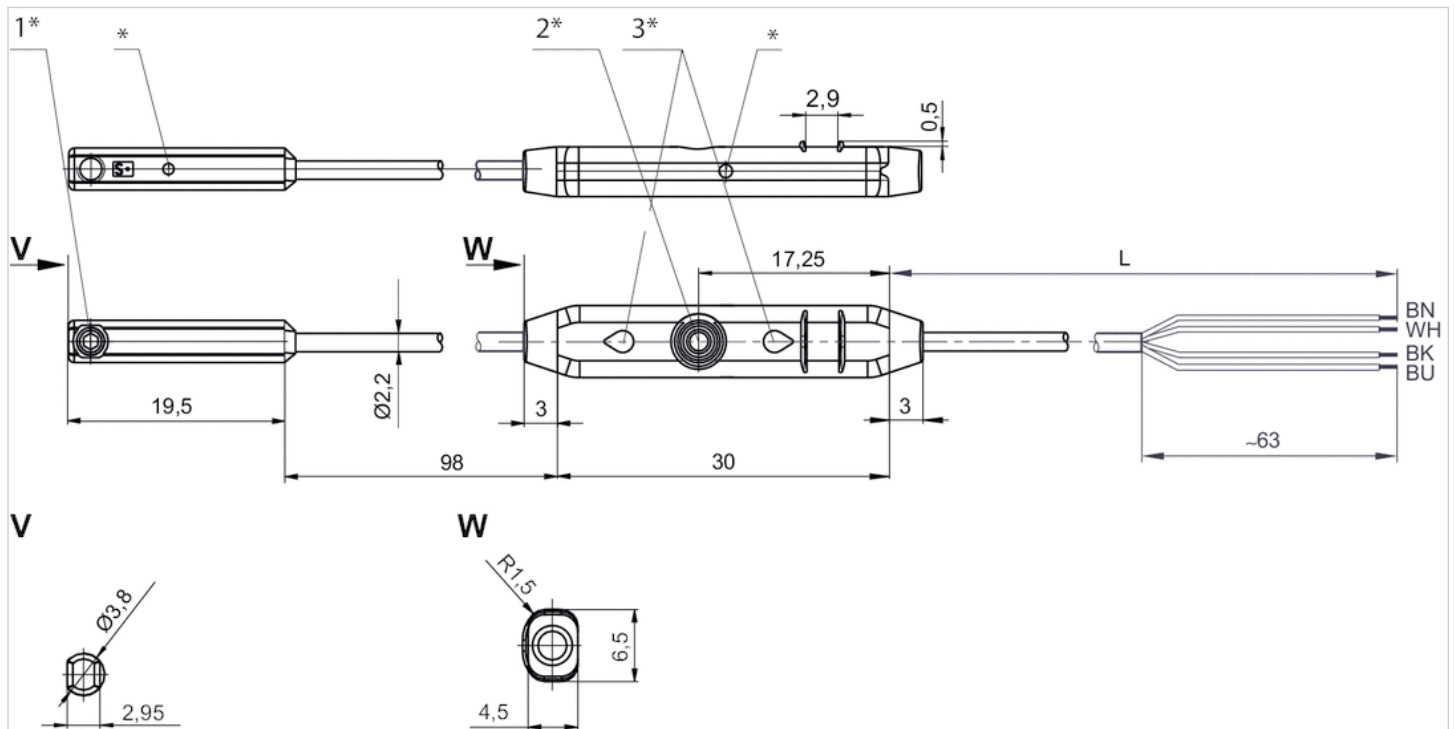
Part No.	Version
R412010139	short circuit resistant, Protected against polarity reversal

Technical information

Material	
Housing	Polyamide
Cable sheath	Polyurethane

Dimensions

Dimensions



1* = mounting screw 2* = teach button 3* = LED

L = cable length

(1) BN=brown (2) WH=white (3) BU=blue (4) BK=black

* Switching point