

▶ MJ1 SERIES ENCLOSED LIMIT SWITCHES

◆ FEATURES

- Side mount switches.
- Momentary contacts.
- Level or plunger operation.
- Regular or sealed operating heads.
- Completely sealed construction.
- 1/2" conduit entry, captive cover screws.
- Dustproof. Oil-Tight, Water-Resistant.
- Temperature range +15°F to +175°F (-10°C to +80°C).



● MJ1-6104

◆ CHARACTERISTICS

Operating speed	0.01mm to 1m/sec
Operating frequency	Mechanically: 240 operations/min. Electrically: 20 operations/min.
Contact resistance	15m Ω max. (initial)
Insulation resistance	100M Ω min. (at 500 VDC)
Dielectric strength	1,000 VAC, 50/60 Hz for 1 minute between non-continuous terminals 2,000 VAC, 50/60 Hz for 1 minute between current-carrying part and ground
Vibration	Malfunction durability: 10 to 55Hz 1.5mm double amplitude
Shock	Mechanical durability: Approx. 1,000m/sec ² (approx. 100G's) Malfunction durability: Approx. 300 m/sec ² (approx. 30 G's)
Ambient operating temperature	Operating: -10°C to +80°C
Humidity	General purpose type: 85% RH max Sealed type: 95% RH
Service life	Mechanically: 20,000,000 operations min Electrically: 500,000 operations min.

MJ-1 side mount switches are offered with or without actuator seal boots. Both have a combination insulator/seal cemented inside the bottom enclosure. Lead washers are used to seal the mounting holes on side mount switches.

The elastomer boot on sealed actuator versions and cover seal on all switches protect the actuating mechanism and the internal basic switch from contaminations.

All side mount switches are installed with M4 screws. Removal of the bottom enclosure exposes the terminals for easy wiring.

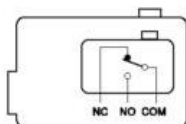
◆ RATING

15A 125, 250V
1/8HP 125V AC, 1/4HP 250V AC
1/2A 125V DC, 1/4A 250V DC



● MJ1-6102

◆ CIRCUITRY



◆ ORDER GUIDE

MJ1-6101	MJ1-6102	MJ1-6102R	MJ1-6104	MJ1-6106	MJ1-6107
MJ1-6111	MJ1-6112	MJ1-6112R	MJ1-6114	MJ1-6117	



● MJ1-6111



● MJ1-6107



● MJ1-6112



● MJ1-6114



● MJ1-6102R



● MJ1-6117



● MJ1-6112R



● MJ1-6106



● MJ1-6101

ORDER GUIDE

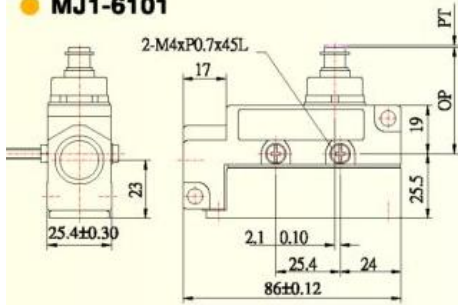
DIMENSIONS (mm)

OPERATING CHARACTERISTICS

DIMENSIONS (mm)

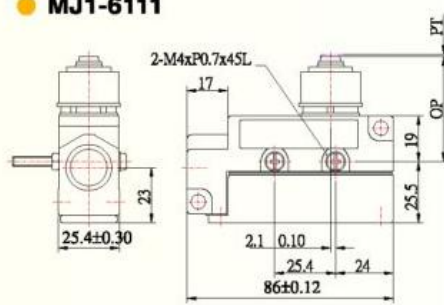
OPERATING CHARACTERISTICS

MJ1-6101



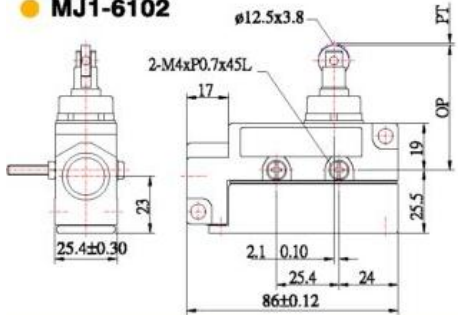
OF MAX	250g-450g
RF MIN	114g
PT MAX	0.8mm
OT MIN	5.5mm
DT MAX	0.05mm
OP	40.2 ± 0.8

MJ1-6111



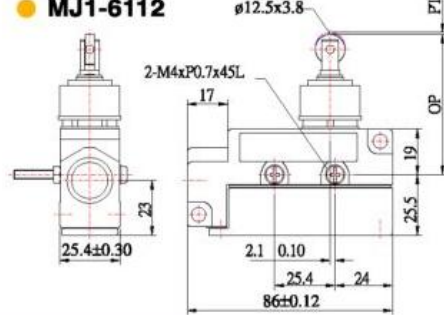
OF MAX	800g
RF MIN	240g
PT MAX	2mm
OT MIN	5mm
DT MAX	0.1mm
OP	50.5 ± 0.8

MJ1-6102



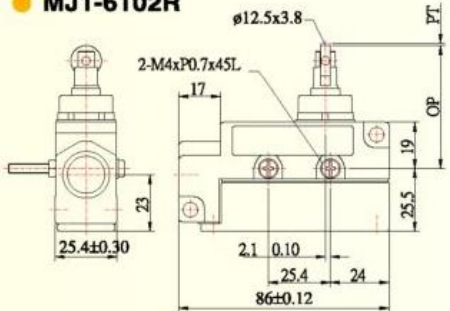
OF MAX	250g-450g
RF MIN	114g
PT MAX	0.8mm
OT MIN	3.6mm
DT MAX	0.05mm
OP	50.7 ± 0.8

MJ1-6112



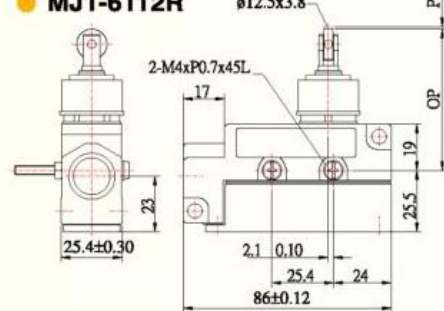
OF MAX	500g
RF MIN	100g
PT MAX	2mm
OT MIN	3.5mm
DT MAX	0.12mm
OP	49.7 ± 0.8

MJ1-6102R



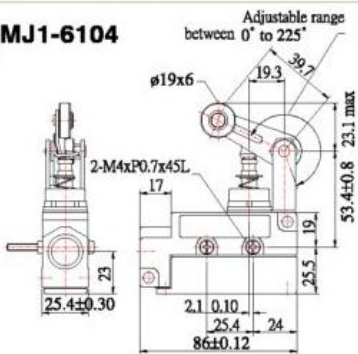
OF MAX	250g-450g
RF MIN	114g
PT MAX	0.8mm
OT MIN	3.6mm
DT MAX	0.05mm
OP	50.7 ± 0.8

MJ1-6112R



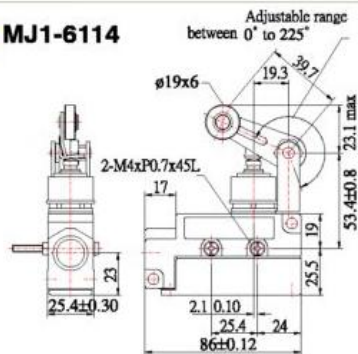
OF MAX	500g
RF MIN	100g
PT MAX	2mm
OT MIN	3.5mm
DT MAX	0.12mm
OP	49.7 ± 0.8

MJ1-6104



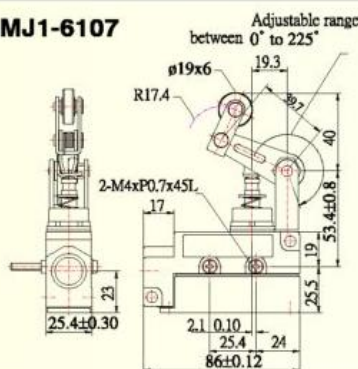
OF MAX	570g
RF MIN	170g
PT MAX	4mm
OT MIN	6mm
DT MAX	0.4mm

MJ1-6114



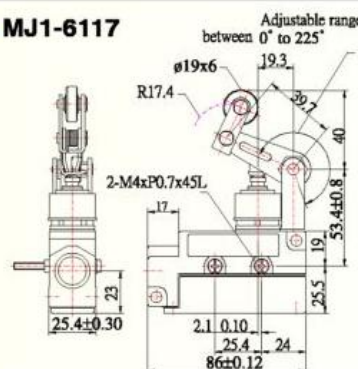
OF MAX	640g
RF MIN	230g
PT MAX	5mm
OT MIN	6mm
DT MAX	0.4mm

MJ1-6107



OF MAX	600g
RF MIN	170g
PT MAX	5mm
OT MIN	5.5mm
DT MAX	0.72mm

MJ1-6117



OF MAX	640g
RF MIN	230g
PT MAX	5mm
OT MIN	6mm
DT MAX	0.72mm