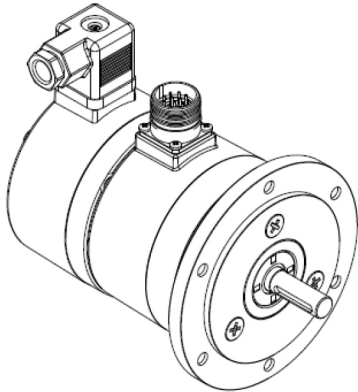


OVERSPEED SPEED SWITCH, GHM9 SERIES

The overspeed switch function on the 90mm range – a sturdy mechanical security module without external power supply:

- radial commutation centrifugal switch without permanent contact.
- high quality mechanics reliability.
- excellent repeatability.
- securised system, works without power supply.
- modular mounting possibility.
- commutation speed : standard calibration range between 800 and 4 000 rpm (rotation per minute).

Especially designed for heavy duty industry (steel and paper mills, lumber, cranes, engine etc...). Sturdy compact conception. Excellent resistance to shocks/vibrations and to extreme axial/radial loads. 12mm or 11mm solid shaft with 115mm REO (Euroflange B10) for tachogenerator type mounting.



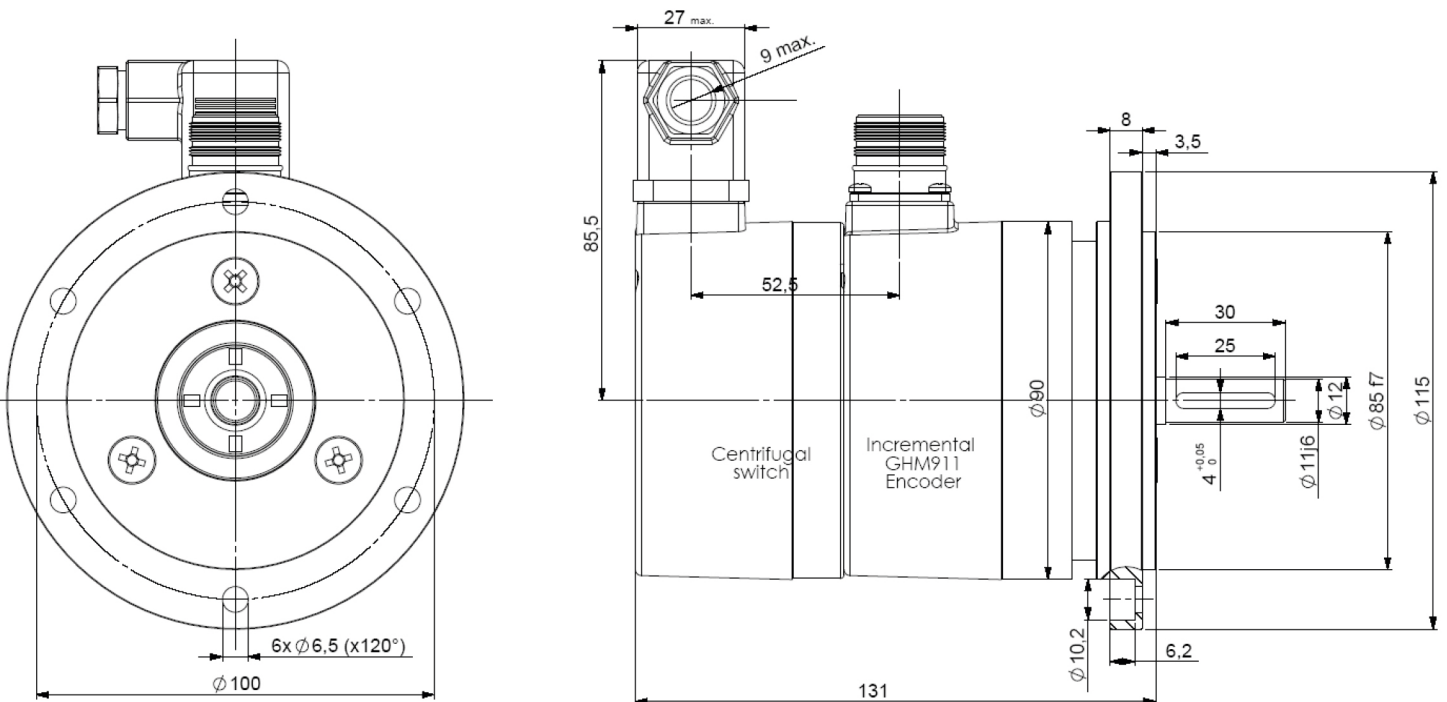
Solid shaft GHM9_11 with overspeed switch



Solid shaft GHM9_12 with overspeed switch

The compactness of the assembly, which can be proposed by BEI SENSORS, allows the combination of overspeed switch and encoder presenting a particularly interesting cost / performances relation.

EXAMPLE: INCREMENTAL ENCODER GHM9_11 WITH OVERSPEED SWITCH



CENTRIFUGAL SWITCH CHARACTERISTICS

Material	Cover : zinc alloy	Weight	1,10kg
	Body: aluminium	Operating temperature	-30 ... +130°C
Max. speed	1,5 . n _s	IP(EN 60529)	IP 65 (mounted)