

ATEX PROGRAMMABLE INCREMENTAL ENCODERS, IHK5 RANGE

Intrinsically safe encoders, specially designed for explosive GAZ or DUST atmospheres

For chemical applications (painting, solvent, fragrances, rubber), textile, food processing, wood, petrochemistry...

EC type examination certificate

Download from our website www.beisensors.com

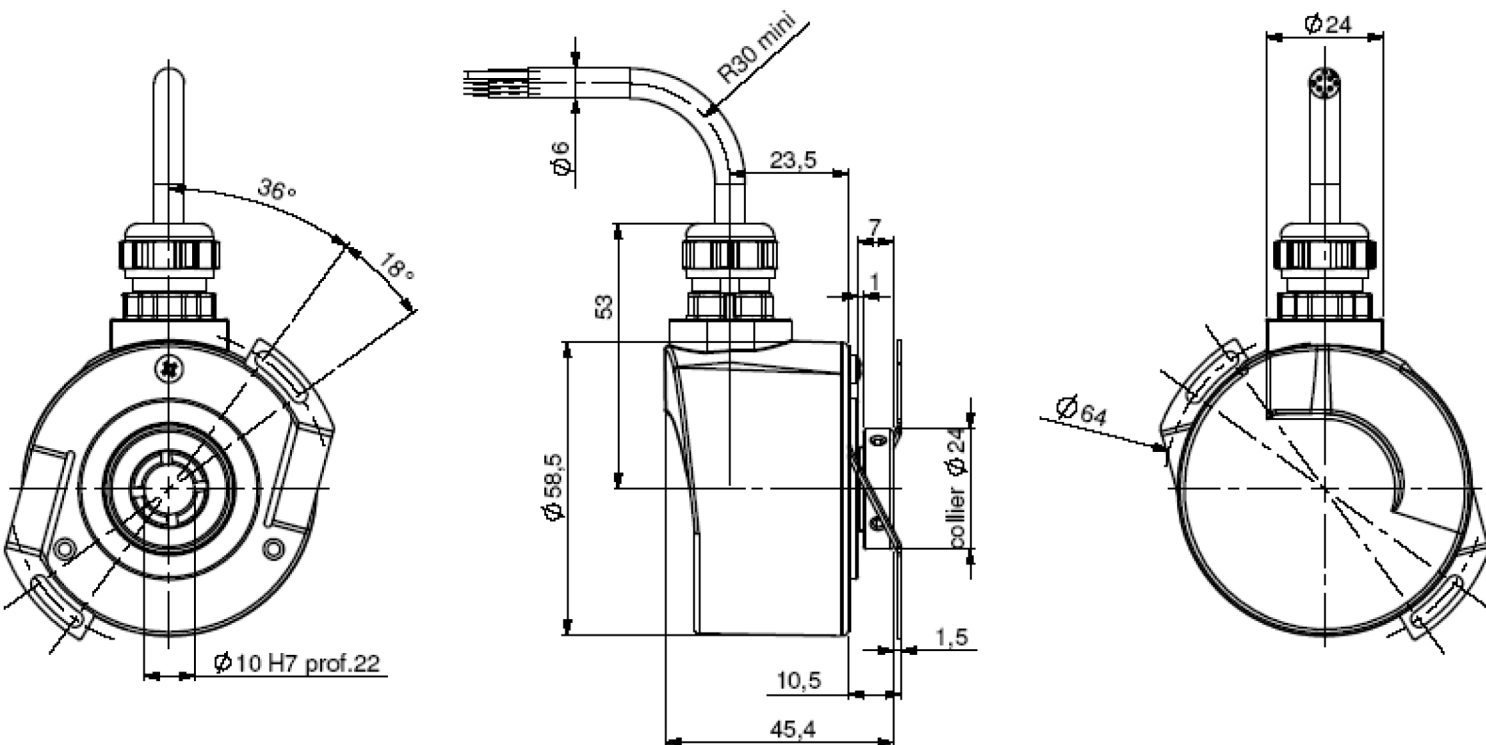
LCIE 04 ATEX 6109 X

CE 0081

 II 1 G/D EEx ia IIC/B T4 Ex iaD 20 T135°C



IHK5_10 connection G3R (radial cable), DAC 9445/016 mounted onto the body



Minimal Depth for an optimal centring: 12mm

CHARACTERISTICS

Material	Cover : zinc alloy	Shock (EN60068-2-27)	$\leq 500 \text{ m.s}^{-2}$ (during 6 ms)
	Body : aluminium	Vibration (EN60068-2-6)	$\leq 100 \text{ m.s}^{-2}$ (55 ... 2 000 Hz)
	Shaft : stainless steel	CEM	EN 50081-1, EN 61000-6-2
Bearings	6 803 serie	Isolation	1 000 V
Maximal load	Axial : 20 N	Weight (connector)	0,3 kg
	Radial : 50 N	Operating temperature	- 30 ... + 70°C (encoder T°)
Shaft inertia	$\leq 2,2 \cdot 10^{-6} \text{ kg.m}^2$	Storage temperature	- 30 ... + 80°C
Torque	$\leq 6 \cdot 10^{-3} \text{ N.m}$	Protection(EN 60529)	IP 65
Permissible max.speed	6 000 min ⁻¹	Torque (ring pressure screw)	nominal: 1.5 N.m, break: 2.0 N.m
Continuous max. speed	6 000 min ⁻¹	Theoretical mechanical lifetime 10^9 turns (F_{axial} / F_{radial})	
Shaft seal	Viton	10N / 25N : 230	20N / 50N : 29