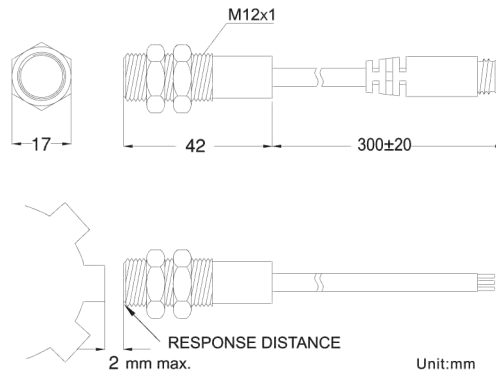


# BTC-22 SERIES

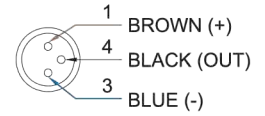
**biltec®**



## ■ DIMENSION



## ■ QD PINOUT



## ■ SPECIFICATION

TYPE	BTC-22
CONNECT DIAGRAM	
CHARACTERISTICS	
WIRING METHOD	3-Wire Type
SWITCHING LOGIC	Solid State Output, Normally Open
SENSOR TYPE	NPN Current Sinking
OPERATING VOLTAGE	3.5~24 V DC
SWITCHING CURRENT	25 mA. max.
CONTACT RATING (NOTE 1)	0.6 W max.
CURRENT CONSUMPTION	7 mA @ 24V DC max.
VOLTAGE DROP	0.6V @ 25mA max.
LEAKAGE CURRENT	0.01 mA max.
INDICATOR	--
CABLE	ø4.5, 3C, PVC
RESPONSE FREQUENCY	50K Hz
RESPONSE DISTANCE	2 mm max.
TEMPERATURE RANGE	-10~70°C
SHOCK (NOTE 2)	50 G
VIBRATION (NOTE 3)	9 G
ENCLOSURE CLASSIFICATION	IEC 529 IP 67
PROTECTION CIRCUIT (NOTE 4)	2

NOTE:  
 1. WARNING: Never exceed rating (Watt=Voltage x Amperage). Permanent damage to sensor will occur.  
 2. Sin wave / X, Y, Z 3 directions / 3 times each direction / 11 ms each time.  
 3. Double amplitude 1.5 mm / 10Hz~55Hz~10Hz (Sweep 1 min) / X, Y, Z 3 directions / 1 hour each time.  
 4. 1=None / 2=Short-circuit / 3=Power Source Reverse polarity / 4=Surge Suppression

## ■ APPLICATION

