



### Main

Range of product	OsiSense XC
Series name	Basic
Product or component type	Limit switch
Product specific application	Medium duty
Device short name	XCE
Body type	Fixed
Head type	Plunger head
Material	Plastic and metal
Fixing mode	By the body
Movement of operating head	Linear
Type of operator	Spring return plunger steel
Switch actuation	On end
Type of approach	Vertical approach, 1 direction
Electrical connection	Screw-clamp terminals, clamping capacity: 1 x 1.5 mm <sup>2</sup>
Cable entry	1 flexible rubber cable gland, cable outer diameter: 6...9 mm
Number of poles	2
Contact operation	Snap action
Positive opening	Without
Maximum force for tripping	9 N

### Complementary

Contacts insulation form	Za
Minimum release force	1.5 N
Minimum actuation speed	5 mm/s
Maximum actuation speed	0.5 m/s
Maximum operating rate	120 cyc/mn
Contact code designation	A300, AC (U <sub>e</sub> = 240 V), I <sub>e</sub> = 3 A, I <sub>the</sub> = 10 A conforming to IEC 60947-5-1 R300, DC (U <sub>e</sub> = 220 V), I <sub>e</sub> = 0.3 A conforming to IEC 60947-5-1
Maximum resistance across terminals	25 MOhm
[U <sub>imp</sub> ] rated impulse withstand voltage	4 kV conforming to EN/IEC 60664

Disclaimer: This documentation is not intended as a substitute for and is not to be used for determining suitability or reliability of these products for specific user applications

Electrical durability	800000 cycles, AC, 3 A, 220 V
Mechanical durability	10000000 cycles
Width	28 mm
Height	100 mm
Depth	25 mm
Net weight	0.11 kg
Terminals description ISO n°1	(3-4-1-2)OF

## Environment

Shock resistance	30 gn for 11 ms conforming to IEC 60068-2-27
Vibration resistance	+/- 3 mm (f= 10...55 Hz) conforming to IEC 60068-2-6
IP degree of protection	IP65 conforming to IEC 60529
Electrical shock protection class	Class I conforming to EN/IEC 60947-5-1
Ambient air temperature for operation	-25...70 °C
Ambient air temperature for storage	-40...70 °C
Marking	CE CCC
Standards	IEC 60947-5-1 GB 14048.5

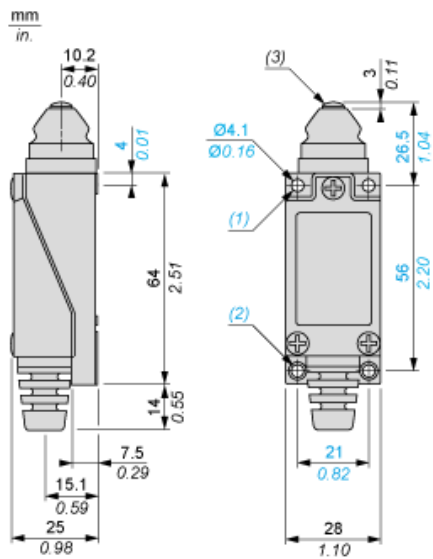
## Offer Sustainability

REACH Regulation	<a href="#">REACH Declaration</a>
REACH free of SVHC	Yes
EU RoHS Directive	Pro-active compliance (Product out of EU RoHS legal scope) <a href="#">EU RoHS Declaration</a>
Toxic heavy metal free	Yes
Mercury free	Yes
RoHS exemption information	<a href="#">Yes</a>

## Contractual warranty

Warranty	18 months
----------	-----------

Dimensions



- (1) : 2 holes M5 tapped 7mm / 0.27 inches in depth.
- (2) : 2 M5 tapped holes.
- (3) : Stainless steel plunger Ø 7 mm / Ø 0.27 in.

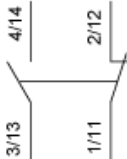
---

Connection and Schema

---

Wiring Diagram

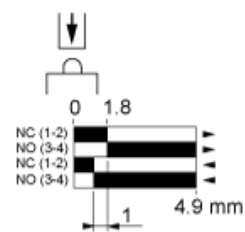
1 NO + 1 NC



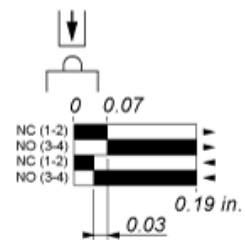
Technical Description

Type of Operator and Functional Diagram, Travel Distance

mm



in.



- (1)
  - (2)
  - ▶ (3)
  - ◀ (4)
- (1) : Contact closed  
 (2) : Contact open  
 (3) : Tripping  
 (4) : Resetting