

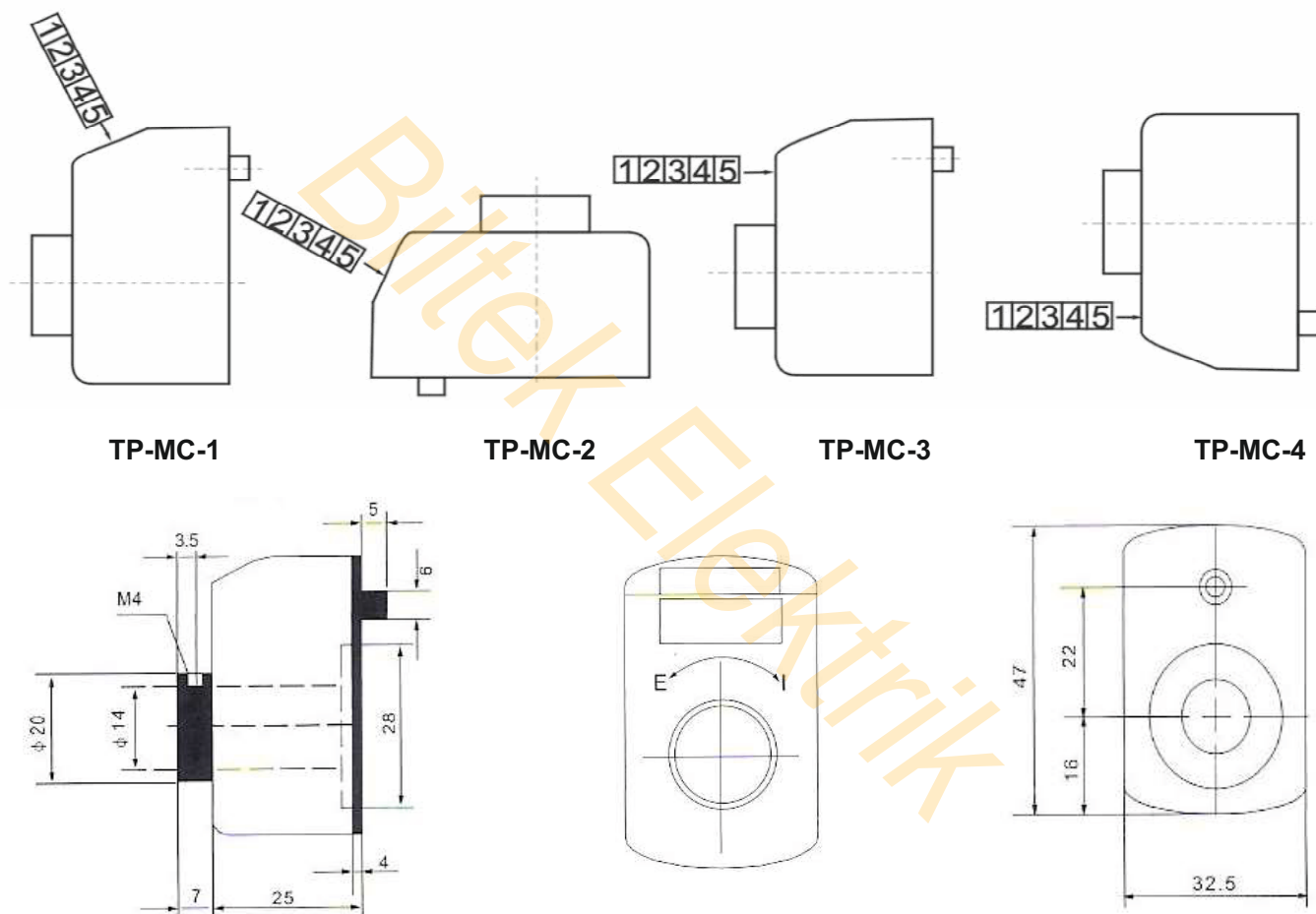


**Digital Position Indicator Datasheet
(14mm Hollow Shaft Series)**

**Items: Digital Position Indicator
14mm Hollow Shaft Series**



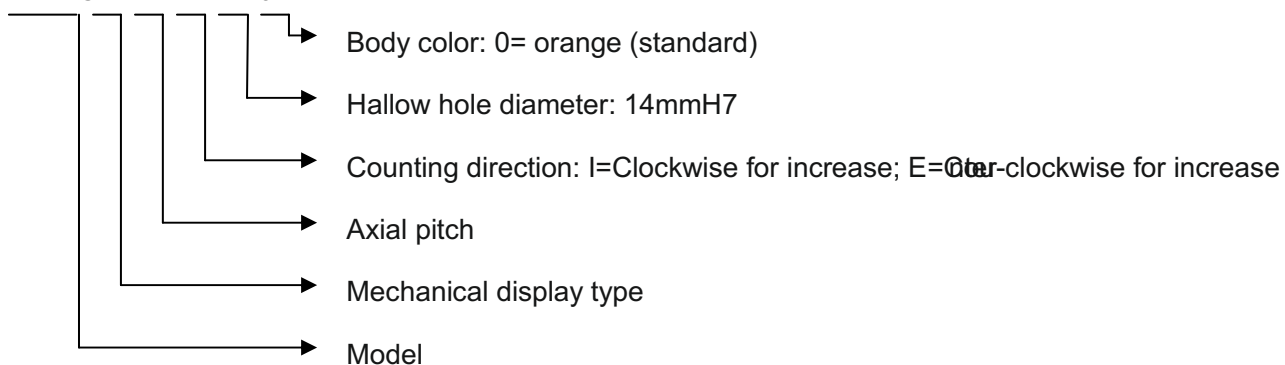
Mechanical Type & Dimension



Axial Pitch options (mm): 01, 01.25, 01.5, 01.75, 02, 03, 04, 05, 06, 08, 10;

Ordering Procedure

TP-MC-X-XX- X-14-0



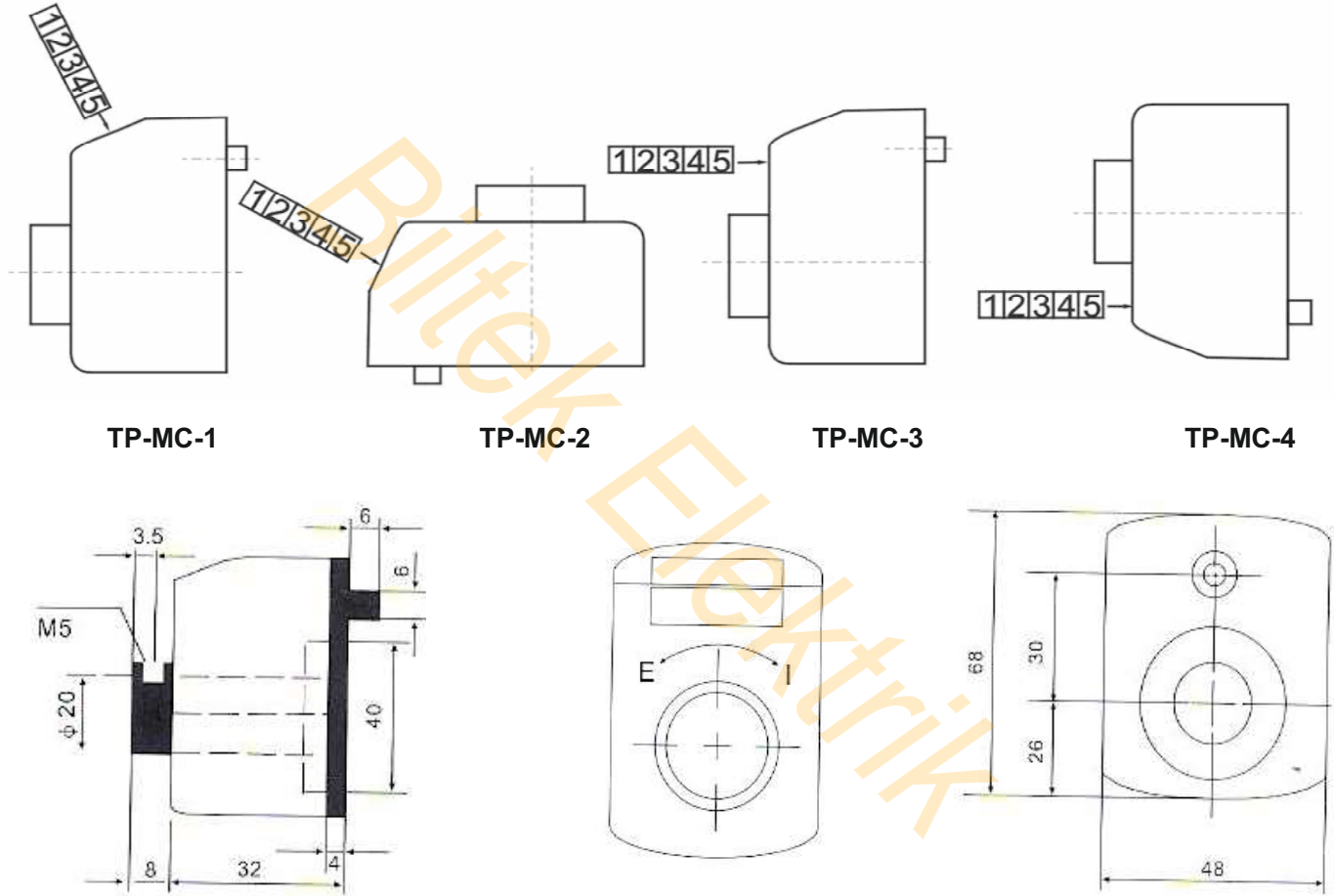
Example: TP-MC-1-02-I-14-0 (TP-MC-1 model & mechanical type, 02mm axial pitch, 14mm hollow dia. orange color)

TECHNOPOWER Digital Position Indicator ~~Dataset~~ (20mm Hollow Shaft Series)

**Items: Digital Position Indicator
20mm Hollow Shaft Series**



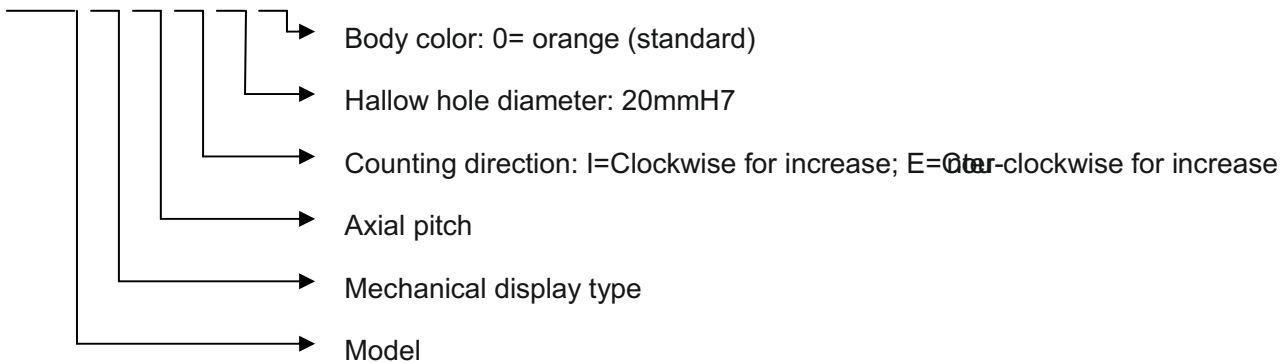
Mechanical Type & Dimension



Axial Pitch options (mm): 01, 01.25, 01.5, 01.75, 02, 03, 04, 05, 06, 08, 10;

Ordering Procedure

TP-MC-X-XX- X-20-0



Example: TP-MC-2-04-I-20-0 (TP-MC-2 model & mechanical type, 04mm axial pitch, 20mm hollow dia. orange color)