



MZC1, RZC1

DROP-IN, INSTALL, DONE

Magnetic cylinder sensors

SICK
Sensor Intelligence.

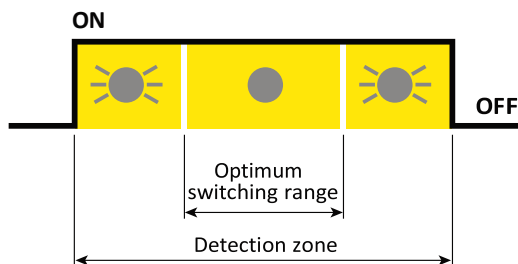
MZC1 UND RZC1: TOP OF THE CLASS FOR C-SLOTS

The MZC1 cylinder sensor is not only a perfect fit for any C-slot, visible setup is also a cinch thanks to optical adjustment indicators.

LED as optical adjustment indicator with monitoring function

The yellow LED ensures that the MZC1 is mounted correctly at the ideal switching point. If the sensor is placed at that position, the LED lights up continuously during switching operations. If the yellow LED flashes, the magnetic field strength has changed. The cylinder piston is located at the upper or lower outer area of the detection zone. The sensor switches faultlessly and provides an output signal within the entire detection zone, even in the outer areas. If the LED does not light up, the cylinder piston is located outside of the sensor's detection zone. In this case, the magnet field is too weak for a reliable output signal and the sensor does not switch. The values for the optimal switching point and the peripheral zones are preset at the factory.

Easy installation and mounting position monitoring



Bright power LED

In addition to the visual adjustment indicator, the new variants of the MZC1 cylinder sensor are fitted with a green LED. It lights up continuously if the sensor is operating, acting as a monitoring function. The bright green LED is immediately visible – even from a long distance.



available for selection. No cylinder sensor can be mounted

The universal MZC1 from SICK is now the only sensor you need to reliably monitor the piston position in almost any pneumatic cylinder with a C-slot, regardless of the variants and mechanical tolerances of the cylinder manufacturer. For cylinders without a C-slot, such as round, tie-rod and profile cylinders, an extensive



range of mounting adapter accessories is



Direct feedback facilitates handling and maintenance

range of mounting adapter accessories is

Magneticcylindersensors|sick

8015324/2016-C

Easily installed and quickly secured – in no time at all

more easily, more quickly or more reliably. Simply insert it and fasten it in place in moments; the new MZC1 housing concept leaves nothing to be desired. A quarter-turn of the eccentric retainer screw is enough to ensure sensor is firmly secured in place. No slipping and the switching point will not wander, even under strong vibrations.

Firm hold for more continuous switching reliability

The MZC1 magnetic cylinder sensor can be mounted in a C-slot using a combination screw. The screw can be tightened using either an Allen key or a flat-head screwdriver.



Screw being fitted with a flat-head screwdriver.

8015324/2016-03-30

Another advantage: the screw-and-washer assembly is securely attached to the sensor housing and thus cannot be lost.

✔ The screw-and-washer assembly: Truly captive



Screw being fitted with an Allen key.

Magneticcylindersensors|sick

MZc1 SENSORS FOR C-SLOT CyLINDERS

DROP-IN, INSTALL, DONE

Product description



Additional information

Detailed technical data	5
Ordering information	6
Dimensional drawings	7
Connection diagram	7
Accessories	16

The MZC1 magnetic cylinder sensor from SICK is a flexible solution for detecting the piston position in pneumatic actuators. The MZC1 can be mounted directly into all cylinders with standard C-slots. SICK also has an extensive range of adapters which enable the MZC1 to be used with other cylinder types. The MZC1 is characterized by its

At a glance

- Can be used in all cylinders, linear slides, and grippers with a C-slot and in many roundbody and tie-rod cylinders by means of adapters
- Easy to insert the sensor into the slot
- Fixing screw combines hexagon socket screw and slotted screw ele-

ments

Your benefits

- A sensor for a wide range of applications: The sensor design fits into all standard C-slots used around the world, regardless of the cylinder profile or make
- Quick and easy mounting using an Allen key or flat-head screwdriver
- Low maintenance costs as the sensor is resistant to shock and vibrations, meaning it does not slide about in the slot

simple mounting principle: Insert the sensor into the slot and rotate the fixing screw a quarter turn to fix it securely to the cylinder. Furthermore, the MZC1 is available in a range of variants up to an enclosure rating of IP 69K. This ensures the sensor has a long service life and reduces maintenance costs.

- LED for indicating the output state
- PNP or NPN switching output, PUR or PVC cable, M8 or M12 plug connection available
- Enclosure ratings: IP 67, IP 68, IP 69K

- Saves time on initial installation and when replacing devices as the sensor can be easily inserted into the slot from above. The end caps of the cylinder do not have to be removed.
- Very rugged housing with enclosure rating IP 67, IP 68, or IP 69K extends the service life of the sensor

- www.mysick.com/en/MZc1

For more information, simply enter the link or scan the QR code and get direct access to technical data, CAD design models, operating instructions, software, application examples, and much more.



SENSORS FOR C-SLOT CyLINDERS MZc1

Detailed technical data

Features

cylinder type	C-slot
cylinder types with adapter	SMC rail CDQ2 SMC rail ECDQ2
housing length	23.7 mm
output type	PNP / NPN (depending on type)
switching frequency	1,000 Hz
output function	NO / NC (depending on type)
enclosure rating	IP 68, IP 69K ^{1) 2)} IP 68 ¹⁾ (depending on type)

supply voltage	10 V DC ... 30 V DC
Power consumption ¹⁾	≤ 8 mA
Voltage drop	≤ 2.5 V
continuous current i_a	≤ 100 mA
Protection class	III
response sensitivity, typ.	2.2 mT / 4.25 mT (depending on type)
overrun distance, typ.	4 mm / 7 mm (depending on type)
hysteresis, typ.	≤ 0.8 mT
repeatability ²⁾	≤ 0.1 mT
reverse polarity protection	I
short-circuit protection	I
Power-up pulse protection	I
ambient operating temperature	-30 °C ... +80 °C
shock and vibration resistance	30 g, 11 ms / 10 ... 55 Hz, 1 mm
eMc	According to EN 60947-5-2
housing material	Plastic
cable material	PVC / PUR (depending on type)
conductor cross-section	0.09 mm ²
UI File no.	NRKH.E181493

¹⁾ According to EN 60529 (IP 67 / IP 68)

²⁾ According to DIN 40050 (IP 69K)

Mechanics/electronics

¹⁾ Without load.

²⁾ U_b and T_a constant.

MZc1 SENSORS FOR C-SLOT CyLINDERS

Ordering information

Other models [g www.mysick.com/en/MZc1](http://www.mysick.com/en/MZc1)

MZC1 – short overrun distance

- **Overrun distance, typ.:** 4 mm
- **Magnetic field sensitivity, min.:** 2.2 mT

output function	output type	connection type	enclosure rating	cable material	connection diagram	type	Part no.
-----------------	-------------	-----------------	------------------	----------------	--------------------	------	----------

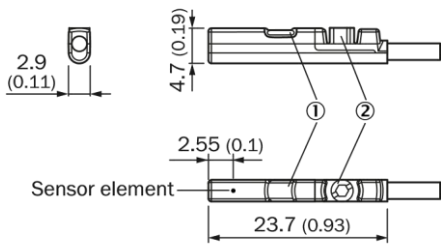
NO	PNP	Cable, 3-wire, 2 m	IP 68, IP 69K	PVC	Cd-001	MZC1-2V2PS-KW0	1059740
				PUR	Cd-001	MZC1-2V2PS-KU0 MZC1-2V2PS-KWB	1059738
		Cable, 3-wire, 5 m	IP 68, IP 69K	PVC	Cd-001		
				PUR	Cd-001	MZC1-2V2PS-KUB	1059739
		Cable with connector M8, 3-pin, 0.3 m	IP 68	PUR	Cd-002	MZC1-2V2PS-KP0	1059735
		Cable with connector M8, 3-pin, with knurled nuts, 0.3 m	IP 68	PUR	Cd-002	MZC1-2V2PS-KR0	1059737
		Cable with connector M8, 3-pin, with knurled nuts, 0.5 m	IP 68	PUR	Cd-002	MZC1-2V2PS-KRD	1060129
		Cable with connector M8, 3-pin, with knurled nuts, 1 m	IP 68	PUR	Cd-002	MZC1-2V2PS-KRDS02	1068563
	Cable with connector M12, 3-pin, 0.3 m	IP 68	PUR	Cd-002	MZC1-2V2PS-KQ0	1059736	
	NPN	Cable, 3-wire, 2 m	IP 68, IP 69K	PUR	Cd-001	MZC1-2V2NS-KU0	1059743
				PUR	Cd-002	MZC1-2V2NS-KP0 MZC1-2V2NS-KRDS03	1059744
		Cable with connector M8, 3-pin, 0.3 m	IP 68	PUR	Cd-002		
		Cable with connector M8, 3-pin, with knurled nuts, 1 m	IP 68	PUR	Cd-002	MZC1-2V2NS-KRD	1068562
		Cable with connector M8, 3-pin, with knurled nuts, 0.5 m	IP 68	PUR	Cd-002	MZC1-2V2NS-KR0	1059742
Cable with connector M12, 3-pin, 0.3 m		IP 68	PUR	Cd-002	MZC1-2V2NS-KQ0	1077026	

MZC1 – long overrun distance

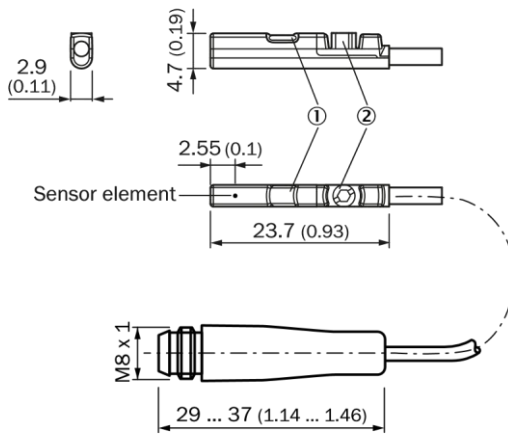
- **Overrun distance, typ.:** 7 mm

- **Magnetic field sensitivity, min.:** 4.25 mT

output function	output type	connection type	enclosure rating	cable material	connection diagram	type	Part no.
NO	PNP	Cable, 3-wire, 2 m	IP 68, IP 69K	PUR	Cd-001	MZC1-4V3PS-KU0	1059755
		Cable with connector M8, 3-pin, 0.3 m	IP 68	PUR	Cd-002	MZC1-4V3PS-KP0	1059752
		Cable with connector M8, 3-pin, with knurled nuts, 0.3 m	IP 68	PUR	Cd-002	MZC1-4V3PS-KR0	1059753
		Cable with connector M12, 3-pin, 0.3 m	IP 68	PUR	Cd-002	MZC1-4V3PS-KQ0	1059754
	NPN	Cable, 3-wire, 2 m	IP 68, IP 69K	PUR	Cd-001	MZC1-4V3NS-KU0	1059756
		Cable with connector M8, 3-pin, 0.3 m	IP 68	PUR	Cd-002	MZC1-4V3NS-KP0	1059757



- ① Indication LED
- ② Fixing screw



- ① Indication LED
- ② Fixing screw

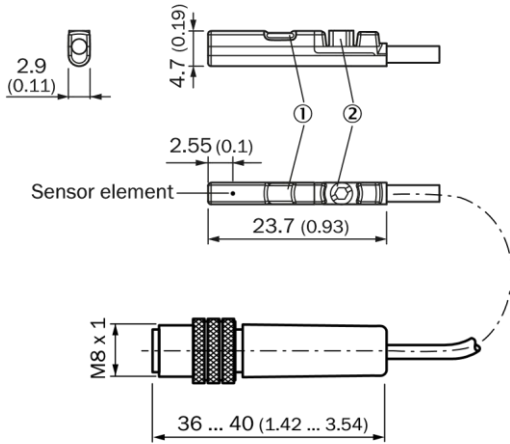
SENSORS FOR C-SLOT CyLINDERS **MZc1**

Dimensional drawings (Dimensions in mm (inch))

Cable

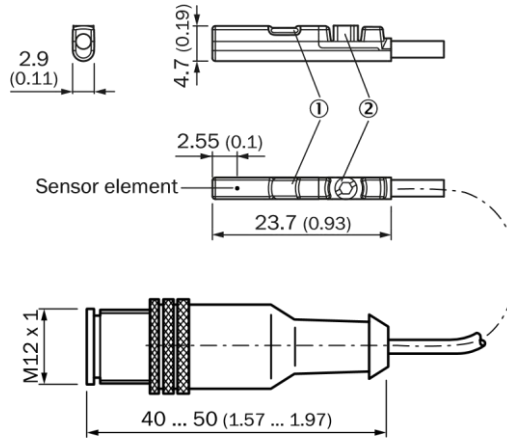
Cable with connector M8

Cable with connector M8, with knurled nuts



- ① Indication LED
- ② Fixing screw

Cable with M12 male connector



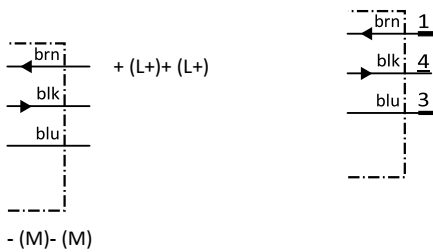
- ① Indication LED
- ② Fixing screw

Connection diagram

Cd-

001

Cd-002



NONO

MZc1 Via SENSORS FOR C-SLOT CyLINDERS

**DROP-IN,
INSTALL,
DONE**

Product description



Additional information

Detailed technical data	9
Ordering information	10
Dimensional drawings	11
Connection diagram.	11
Accessories.	16

The MZC1 VIA magnetic cylinder sensor from SICK is a flexible solution for detecting the piston position in pneumatic actuators. The MZC1 VIA can be mounted directly into all cylinders with standard C-slots. SICK also has an extensive range of adapters which enable the MZC1 VIA to be used with other cylinder types. The MZC1 VIA is charac-

indicator and makes it easier to install the sensor and monitor its mounting position. The additional green LED indicates whether the MZC1 VIA is in operation.

At a glance

- yellow LED as optical adjustment indicator and output state display
- Green LED acts as a status indicator
- Can be used in all cylinders, linear slides, and grippers with a C-slot and in many roundbody and tie-rod cylinders by means of adapters

- Fixing screw combines hexagon socket screw and slotted screw elements
- PNP or NPN switching output, PUR or PVC cable, M8 or M12 plug connection available
- Enclosure ratings: IP 67, IP 68, IP 69K

- Easy to insert the sensor into the slot

Your benefits

- Easy installation and mounting position monitoring thanks to yellow LED
- Additional powerful green LED acts as a status indicator
- A sensor for a wide range of applications: The sensor design fits into all standard C-slots used around the world, regardless of the cylinder profile or make
- Quick and easy mounting using an

Allen key or flat-head screwdriver

- Low maintenance costs as the sensor is resistant to shock and vibrations, meaning it does not slide about in the slot
- Saves time on initial installation and when replacing devices as the sensor can be easily inserted into the slot from above. The end caps of the cylinder do not have to be removed.
- Very rugged housing with enclosure rating IP 67, IP 68, or IP 69K extends the service life of the sensor

- www.mysick.com/en/MZc1_Via

terized by its simple mounting principle: Insert the sensor into the slot and rotate the fixing screw a quarter turn to fix it securely to the cylinder. The yellow LED serves as an optical adjustment

For more information, simply enter the link or scan the QR code and get direct access to technical data, CAD design models, operating instructions, software, application examples, and much more.



SENSORS FOR C-SLOT CyLINDERS MZc1 Via

Detailed technical data

Features

cylinder type	C-slot
cylinder types with adapter	SMC rail CDQ2 SMC rail ECDQ2
housing length	23.7 mm
output type	PNP
switching frequency	1,000 Hz
output function	NO
enclosure rating	IP 68, IP 69K ^{1) 2)} IP 68 ¹⁾ (depending on type)
¹⁾²⁾ special features	Visual installation aid/LED indicator (yellow) Power LED (green)

According to
(IP 69K)
to EN 60529 (IP

DIN 40050
According

67 / IP 68)

Mechanics/electronics

supply voltage	10 V DC ... 30 V DC
Power consumption ¹⁾	≤ 8 mA
Voltage drop	≤ 2.5 V
continuous current i_a	≤ 100 mA
Protection class	III
response sensitivity, typ.	2.2 mT
overrun distance, typ.	4 mm
hysteresis, typ.	≤ 0.8 mT
repeatability ²⁾	≤ 0.1 mT
reverse polarity protection	I
short-circuit protection	I
Power-up pulse protection	I
ambient operating temperature	-30 °C ... +80 °C
shock and vibration resistance	30 g, 11 ms / 10 ... 55 Hz, 1 mm
eMc	According to EN 60947-5-2
housing material	Plastic
cable material	PUR
conductor cross-section	0.09 mm ²
Ul File no.	NRKH.E181493

MZc1
Via
SENSORS
FOR C-

SLOT CyLINDERS

Ordering information

Other models [g www.mysick.com/en/MZc1_Via](http://www.mysick.com/en/MZc1_Via)

MZC1 VIA

- **Special features:** visual installation aid/LED indicator (yellow), Power LED (green)
- **Overrun distance, typ.:** 4 mm

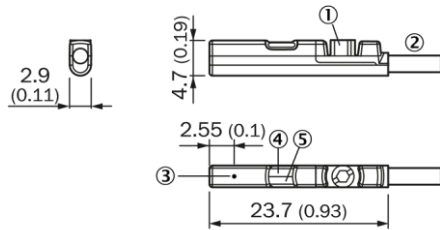
^{1) 2)} U_b and T_a constant. Without load.

• **Magnetic field sensitivity, min.:** 2.2 mT

output function	output type	connection type	enclosure rating	cable material	connection diagram	type	Part no.
NO	PNP	Cable, 3-wire, 5 m	IP 68, IP 69K	PUR	Cd-001	MZC1-2V2PSAKUB	1079050
		Cable, 3-wire, 2 m	IP 68, IP 69K	PUR	Cd-001	MZC1-2V2PSAKU0	1079049
		Cable with connector M8, 3-pin, 0.3 m	IP 68	PUR	Cd-002	MZC1-2V2PSAKP0	1079046
		Cable with connector M8, 3-pin, with knurled nuts, 0.3 m	IP 68	PUR	Cd-002	MZC1-2V2PSAKR0	1079047
		Cable with connector M12, 3-pin, 0.3 m	IP 68	PUR	Cd-002	MZC1-2V2PSAKQ0	1079048

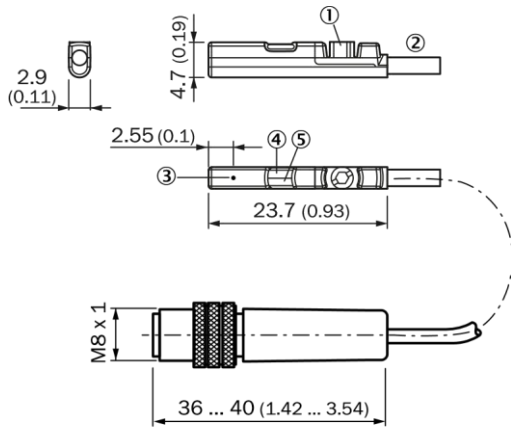
Dimensional drawings (Dimensions in mm (inch))

Cable



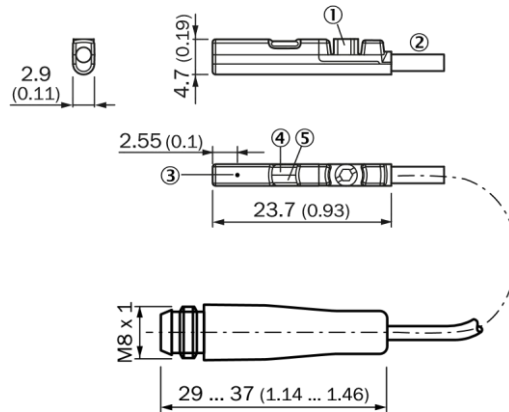
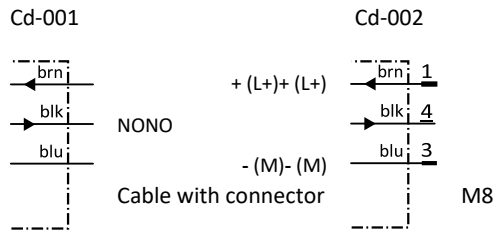
- ① Fixing screw
- ② Fixing screw
- 3 Connection
- 4 Position sensor element
- 5 Visual installation aid/LED indicator (yellow)
- 6 Power LED (green)

Cable with connector M8, with knurled nuts



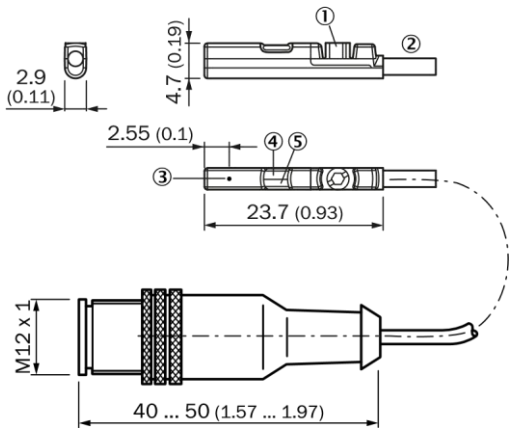
- ① Fixing screw
- ② Connection
- 3 Position sensor element
- 4 Visual installation aid/LED indicator (yellow)
- 5 Power LED (green)

Connection diagram



- 1 Fixing screw
- 2 Connection
- 3 Position sensor element
- 4 Visual installation aid/LED indicator (yellow)
- 5 Power LED (green)

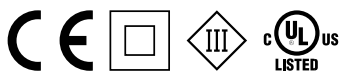
Cable with M12 male connector



- 1 Fixing screw
- 2 Connection
- 3 Position sensor element
- 4 Visual installation aid/LED indicator (yellow)
- 5 Power LED (green)

DROP-IN, INSTALL, DONE

Product description



Additional information

Detailed technical data 13
Ordering information 14
Dimensional drawings 15
Connection diagram. 15
Accessories. 16

The RZC1 magnetic cylinder sensor with reed contact from SICK is a flexible solution for detecting the piston position in pneumatic actuators. The RZC1 can be mounted directly into all cylinders with standard C-slots. SICK also has an extensive range of adapters which enable the RZC1 to be used with other cylinder types. The RZC1 is characterized by its

At a glance

- Can be used in all cylinders, linear slides, and grippers with a C-slot and in many roundbody and tie-rod cylinders by means of adapters
- Easy to insert the sensor into the slot
- Fixing screw combines hexagon socket screw and slotted screw ele-

ments

Your benefits

- A sensor for a wide range of applications: The sensor design fits into all standard C-slots used around the world, regardless of the cylinder profile or make
- Quick and easy mounting using an Allen key or flat-head screwdriver
- Low maintenance costs as the sensor is resistant to shock and vibrations, meaning it does not slide about in the slot

simple mounting principle: Insert the sensor into the slot and rotate the fixing screw a quarter turn to fix it securely to the cylinder. Furthermore, the RZC1 is available in a range of variants up to an enclosure rating of IP 69K. This ensures the sensor has a long service life and reduces maintenance costs.

- LED for indicating the output state
- Wide range of options with 3-wire reed, 2-wire reed, and 120 V reed versions
- Enclosure ratings: IP 67, IP 68, IP 69K

- Saves time on initial installation and when replacing devices as the sensor can be easily inserted into the slot from above. The end caps of the cylinder do not have to be removed.
- Very rugged housing with enclosure rating IP 67, IP 68, or IP 69K extends the service life of the sensor

- www.mysick.com/en/rZc1

For more information, simply enter the link or scan the QR code and get direct access to technical data, CAD design models, operating instructions, software, application examples, and much more.



Detailed technical data

Features

	ac/dc 3-wire	ac/dc 2-wire
cylinder type	C-slot	
cylinder types with adapter	SMC rail CDQ2 SMC rail ECDQ2	
housing length	26.3 mm	
output type	Reed	
switching frequency	500 Hz	
output function	NO	
enclosure rating	IP 68 ¹⁾ IP 69K ²⁾ IP 67 ¹⁾ (depending on type)	IP 67 ¹⁾

¹⁾ According to EN 60529 (IP 67 / IP 68)

²⁾ According to DIN 40050 (IP 69K)

Mechanics/electronics

¹⁾ 2) The sensor may only be used when mounted as a complete unit in the slot.

²⁾ Overvoltage category II. ⁴⁾

U_b and T_a constant.

	ac/dc 3-wire	ac/dc 2-wire
supply voltage	5 V AC/DC ... 30 V AC/DC	5 V AC/DC ... 120 V AC/DC (depending on type)
Power consumption ¹⁾	5 mA	
Voltage drop	< 0.5 V	< 3.2 V
continuous current i_a	≤ 500 mA	≤ 50 mA
switching capacity	≤ 10 W	1.5 W / 10 W (depending on type)
Protection class	III	II ²⁾ ³⁾ III (depending on type)
overrun distance, typ.	7 mm	
repeatability ⁴⁾	≤ 0.1 mT	
ambient operating temperature	−30 °C ... +80 °C	
shock and vibration resistance	30 g, 11 ms / 10 ... 55 Hz, 1 mm	
eMc	According to EN 60947-5-2	
housing material	Plastic, PA, strengthened	
cable material	PUR	
conductor cross-section	0.09 mm ²	
UI File no.	NRKH.E181493	

Ordering information

Other models [g www.mysick.com/en/rZc1](http://www.mysick.com/en/rZc1)

AC/DC 3-wire

- **Electrical wiring:** AC/DC 3-wire
- **Continuous current I_a :** ≤ 500 mA

¹⁾ Without load.

supply voltage	connection	enclosure rating	connection diagram	type	Part no.
5 V AC/DC ... 30 V AC/DC	Cable, 3-wire, 2 m	IP 68 ¹⁾ , IP 69K ²⁾	Cd-035	RZC1-04ZRS-KU0	1059746
	Cable, 3-wire, 5 m	IP 68 ¹⁾ , IP 69K ²⁾	Cd-035	RZC1-04ZRS-KUB	1059749
	Cable with connector M8, 3-pin, 0.3 m	IP 67 ¹⁾	Cd-036	RZC1-04ZRS-KP0	1059747
	Cable with connector M8, 3-pin, with knurled nuts, 0.3 m	IP 68 ¹⁾	Cd-036	RZC1-04ZRS-KR0	1059748
	Cable with connector M8, 3-pin, with knurled nuts, 0.5 m	IP 68 ¹⁾	Cd-036	RZC1-04ZRS-KRD	1060130
	Cable with connector M12, 3-pin, 0.3 m	IP 68 ¹⁾	Cd-036	RZC1-04ZRS-KQ0	1059745

¹⁾ According to EN 60529 (IP 67 / IP 68)

²⁾ According to DIN 40050 (IP 69K)

AC/DC 2-wire

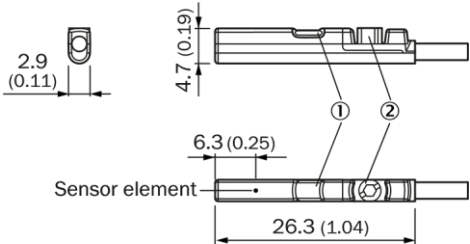
- **Electrical wiring:** AC/DC 2-wire
- **Continuous current** $I_a \leq 50$ mA

supply voltage	connection	enclosure rating ¹⁾	connection diagram	type	Part no.
5 V AC/DC ... 120 V AC/DC	Cable, 2-wire, 2 m	IP 67	Cd-037	RZC1-04ZUS-KU0	1059750
5 V AC/DC ... 30 V AC/DC	Cable, 2-wire, 2 m	IP 67	Cd-037	RZC1-04ZUS-KU0S01	1065397
	Cable, 2-wire, 3 m	IP 67	Cd-037	RZC1-04ZUS-KUAS02	1070035
	Cable, 2-wire, 5 m	IP 67	Cd-037	RZC1-04ZUS-KUBS03	1073286
	Cable with connector M8, 2-pin, 0.3 m	IP 67	Cd-338	RZC1-04ZUS-KP0	1059751

¹⁾ According to EN 60529 (IP 67 / IP 68)

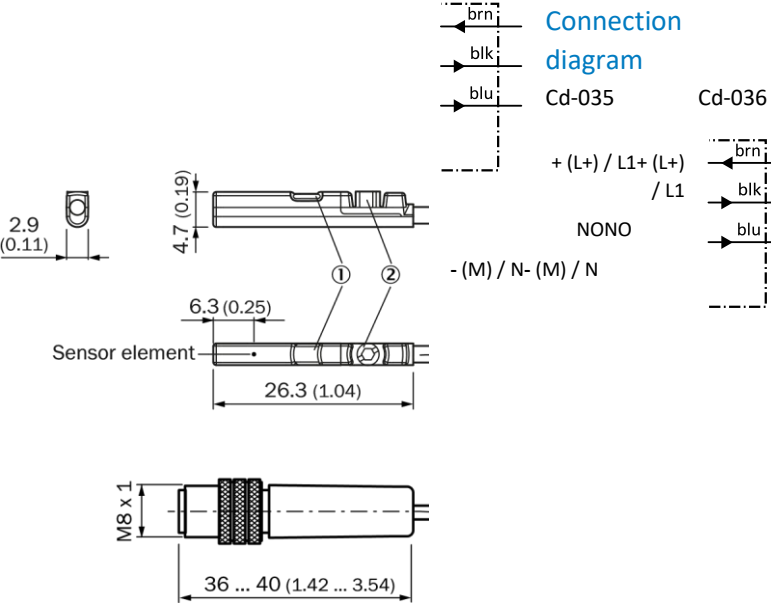
Dimensional drawings (Dimensions in mm (inch))

Cable

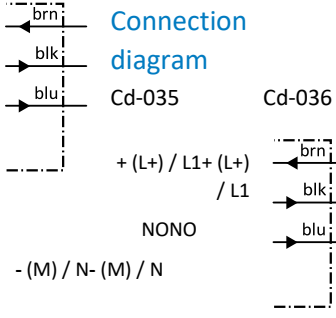


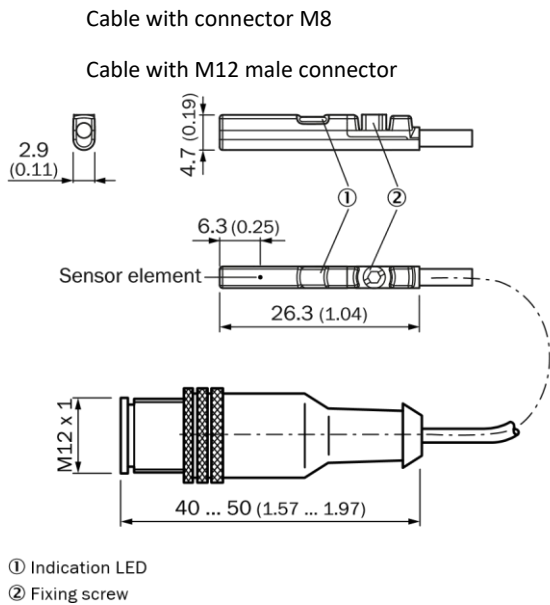
- ① Indication LED
- ② Fixing screw

Cable with connector M8, with knurled nuts



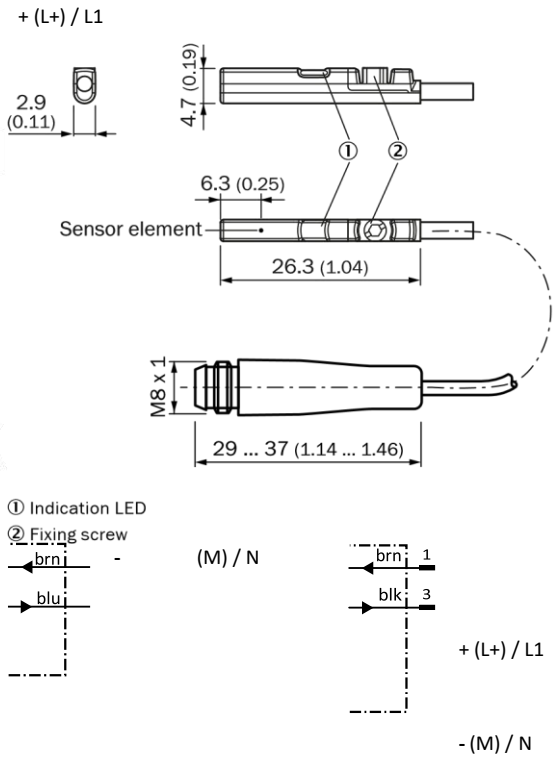
- 1 Indication LED
- 2 Fixing screw





Cd-037

Cd-338





Accessories

Mounting systems


Brackets for cylinder sensors

For round body cylinders

Figure	Material	description	type	Part no.
	Plastic, Aluminum	Mounting bracket on round body cylinder with piston diameter of 12 mm, ambient temperature min 0 °C max 50 °C	BEF-KHZ-RC-12	2077673
		Mounting bracket on round body cylinder with piston diameter of 16 mm, ambient temperature min 0 °C max 50 °C	BEF-KHZ-RC-16	2077672
Mounting bracket on round body cylinder with piston diameter of 20 mm, ambient temperature min 0 °C max 50 °C		BEF-KHZ-RC-20	2077671	
		Mounting bracket on round body cylinder with piston diameter of 25 mm, ambient temperature min 0 °C max 50 °C	BEF-KHZ-RC-25	2077670
		Mounting bracket on round body cylinder with piston diameter of 32 mm, ambient temperature min 0 °C max 50 °C	BEF-KHZ-RC-32	2077669

		Mounting bracket on round body cylinder with piston diameter of 40 mm, ambient temperature min 0 °C max 50 °C	BEF-KHZ-RC-40	2077668
		Mounting bracket on round body cylinder with piston diameter of 50 mm, ambient temperature min 0 °C max 50 °C	BEF-KHZ-RC-50	2077667
		Mounting bracket on round body cylinder with piston diameter of 63 mm, ambient temperature min 0 °C max 50 °C	BEF-KHZ-RC-63	2077666
	Stainless steel, Aluminum	Mounting bracket on round body cylinder with piston diameter of 1 mm ... 130 mm, ambient temperature min -30 °C max 80 °C	BEF-KHZ-RC1-130	2077686
		Mounting bracket on round body cylinder with piston diameter of 1 mm ... 25 mm, ambient temperature min -30 °C max 80 °C	BEF-KHZ-RC1-25	2077685


For SMC rails CDQ2 (T-/C-slot)

Figure	Material	description	type	Part no.
	Aluminum	Mounting bracket for mounting on SMC rails CDQ2 (C-slot)	BEF-KHZ-TC2	2046442

For SMC

rails

ECDQ2 (T-/C-slot)



Figure	Material	description	type	Part no.
	Aluminum	Mounting bracket for mounting on SMC rails ECDQ2 (C-slot)	BEF-KHZ-TC1	2046441

Connection systems

Plug connectors and cables



Connecting cables with female connector, M12, 3-pin, PUR, halogen-free

- **Cable material:** PUR, halogen-free
- **Connector material:** TPU

Figure	connection type head a	connection type head B	connecting cable	type	Part no.
	Female connector, M12, 3-pin, straight, unshielded	Cable, open conductor heads	2 m, 3-wire	DOL-1203-G02MC	6039075 6039076
			5 m, 3-wire	DOL-1203-G05MC	
			10 m, 3-wire	DOL-1203-G10MC	6039077
	Female connector, M12, 3-pin, angled, unshielded	Cable, open conductor heads	2 m, 3-wire	DOL-1203-W02MC	6039078
			5 m, 3-wire	DOL-1203-W05MC	6039079 6036752
			10 m, 3-wire	DOL-1203-W10MC	



Connecting cables with female connector, M8, 3-pin, PVC, chemical resistant

- **Cable material:** PVC
- **Connector material:** TPU

Figure	connection type head a	connection type head B	connecting cable	type	Part no.
	Female connector, M8, 3-pin, straight, unshielded	Cable, open conductor heads	2 m, 3-wire	DOL-0803-G02M	6010785
			5 m, 3-wire	DOL-0803-G05M	6022009
	Female connector, M8, 3-pin, angled, unshielded	Cable, open conductor heads	2 m, 3-wire	DOL-0803-W02M	6008489
			5 m, 3-wire	DOL-0803-W05M	6022010

Female connectors

(ready to assemble), M8, 3-pin

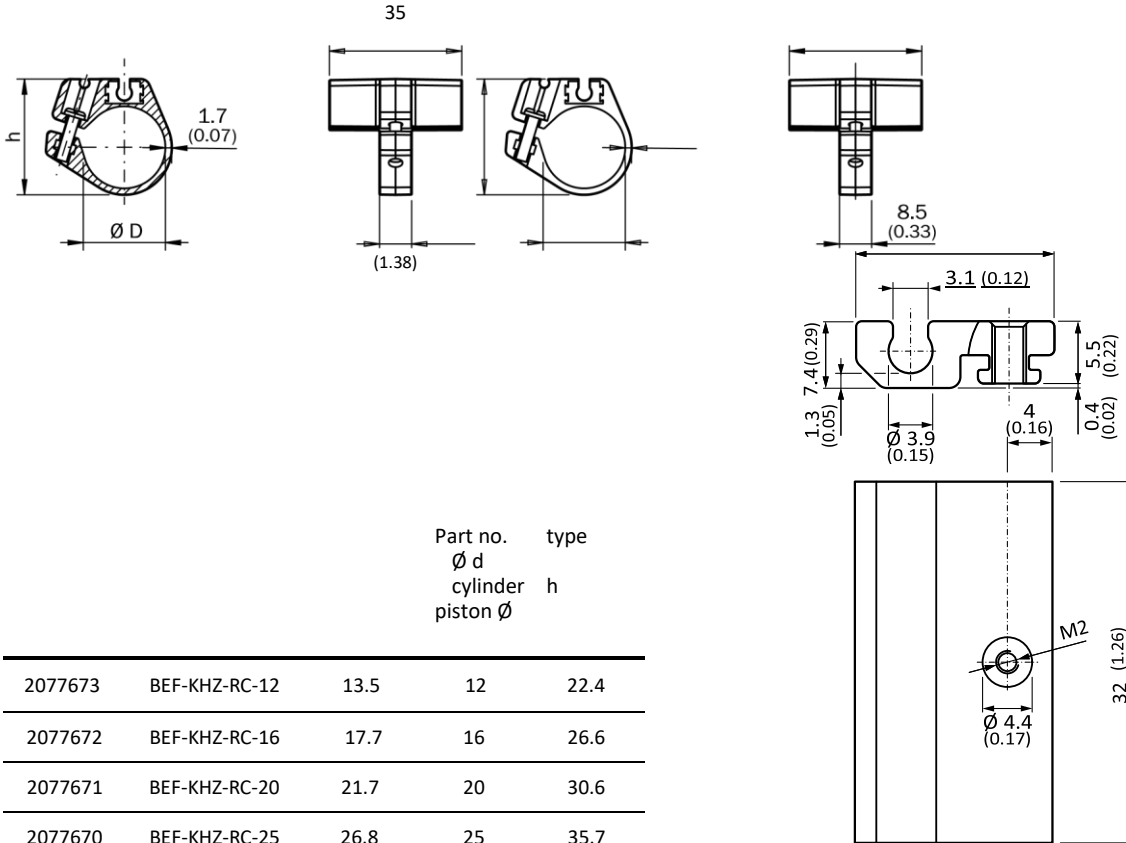
Figure	connection type head a	connection type head B	type	Part no.
	Female connector, M8, 3-pin, straight, unshielded	Screw-type terminals	DOS-0803-G	7902077
	Female connector, M8, 3-pin, angled, unshielded	Solder connection	DOS-0803-W	7902078

dimensional drawings for accessories SENSORS FOR C-SLOT CyLINDERS

Dimensional drawings (Dimensions in mm (inch))

Brackets for cylinder sensors

BEF-KHZ-RC-xx

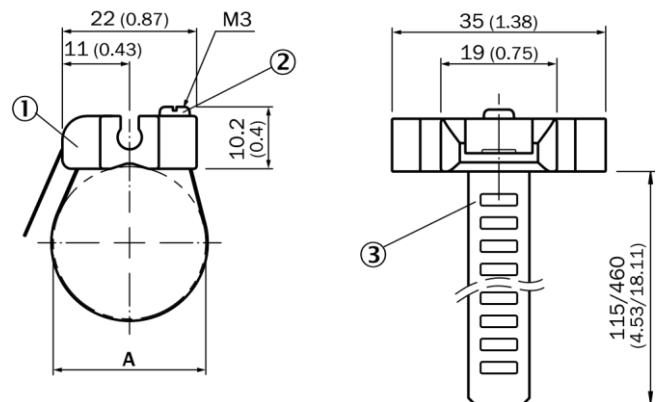


Part no. type
 \varnothing d cylinder h
 piston \varnothing

2077673	BEF-KHZ-RC-12	13.5	12	22.4
2077672	BEF-KHZ-RC-16	17.7	16	26.6
2077671	BEF-KHZ-RC-20	21.7	20	30.6
2077670	BEF-KHZ-RC-25	26.8	25	35.7
2077669	BEF-KHZ-RC-32	34	32	42.9
2077668	BEF-KHZ-RC-40	42	42	50.9
2077667	BEF-KHZ-RC-50	52.9	50	61.8

2077666	BEF-KHZ-RC-63	65	63	73.9
---------	---------------	----	----	------

BEF-KHZ-RC1-xx

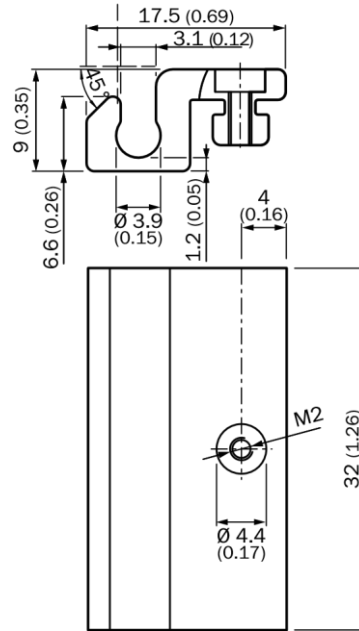


BEF-KHZ-TC2

17.5 (0.69)

- 1 Sensoradapter with C-slot for round body cylinder
- 2 Fixing screw
- 3 Strap

Part no.	type	cylinder piston \varnothing
2077673	BEF-KHZ-RC1-25	8 ... 25
2077672	BEF-KHZ-RC1-130	8 ... 130

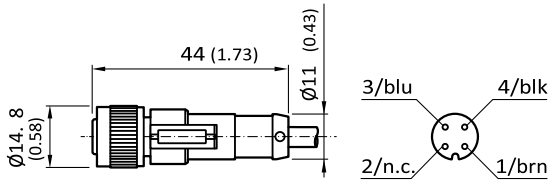


BEF-KHZ-TC1

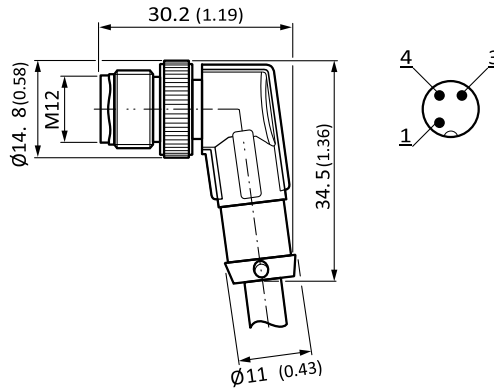
SENSORS FOR C-SLOT CYLINDERS [dimensional drawings for accessories](#)

Plug connectors and cables

DOL-1203-GxxMC

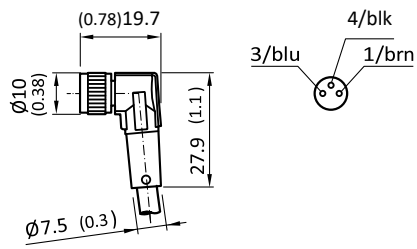
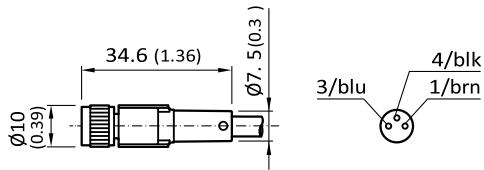


DOL-1203-WxxMC

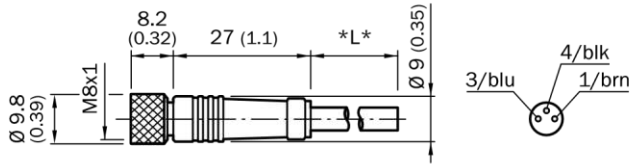


DOL-0803-GxxMC

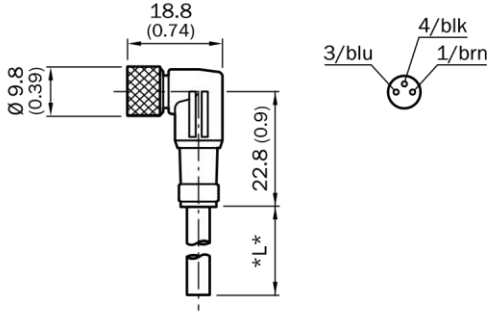
DOL-0803-WxxMC



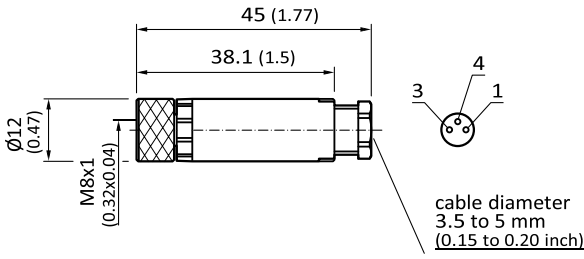
DOL-0803-GxxM



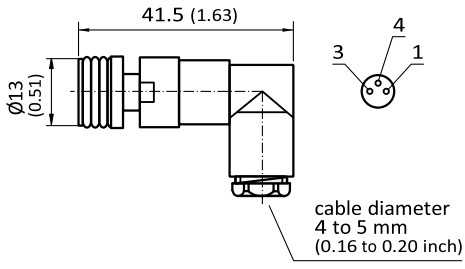
DOL-0803-WxxM



DOS-0803-G



DOS-0803-W










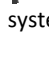

notes SENSORS FOR C-SLOT CyLINDERS

SENSORS FOR C-SLOT CyLINDERS **notes**



notes SENSORS FOR C-SLOT CyLINDERS

REGISTER AT WWW.SICK.COM TODAY AND ENJOY ALL THE BENEFITS

-  Select products, accessories, documentation and software quickly and easily.
-  Create, save and share personalized wish lists.
-  View the net price and date of delivery for every product.
-  Requests for quotation, ordering and delivery tracking made easy.
-  Overview of all quotations and orders.
-  Direct ordering: submit even very complex orders in moments.
-  View the status of quotations and orders at any time. Receive e-mail notifications of status changes.
-  Easily repeat previous orders.
-  Conveniently export quotations and orders to work with your systems.



SERVICES FOR MACHINES AND SYSTEMS: SICK LifeTime Services

Our comprehensive and versatile LifeTime Services are the perfect addition to the comprehensive range of products from SICK. The services range from product-independent consulting to traditional product services.



Consulting and design

Safe and professional



Product and system support

Reliable, fast and on-site



Verification and optimization

Safe and regularly inspected



Upgrade and retrofits

Easy, safe and economical



Training and education

Practical, focused and professional

SICK AT A GLANCE

SICK is a leading manufacturer of intelligent sensors and sensor solutions for industrial applications. With almost 7,000 employees and over 50 subsidiaries and equity investments as well as numerous representative offices worldwide, we are always close to our customers. A unique range of products and services creates the perfect basis for controlling processes securely and efficiently, protecting individuals from accidents and preventing damage to the environment.

We have extensive experience in various industries and understand their processes and requirements. With intelligent sensors, we can deliver exactly what our customers need. In application centers in Europe, Asia and North America, system solutions are tested and optimized in accordance with customer specifications. All this makes us a reliable supplier and development partner.

Comprehensive services round out our offering: SICK LifeTime Services provide support throughout the machine life cycle and ensure safety and productivity.

For us, that is “sensor intelligence.”

Worldwide presence:

Australia, Austria, Belgium, Brazil, Canada, Chile, China, Czech Republic, Denmark, Finland, France, Germany, Great Britain, Hungary, India, Israel, Italy, Japan, Malaysia, Mexico, Netherlands, New Zealand, Norway, Poland, Romania, Russia, Singapore, Slovakia, Slovenia, South Africa, South Korea, Spain, Sweden, Switzerland, Taiwan, Thailand, Turkey, United Arab Emirates, USA, Vietnam.

Detailed addresses and additional representatives – www.sick.com