

## BKC-1

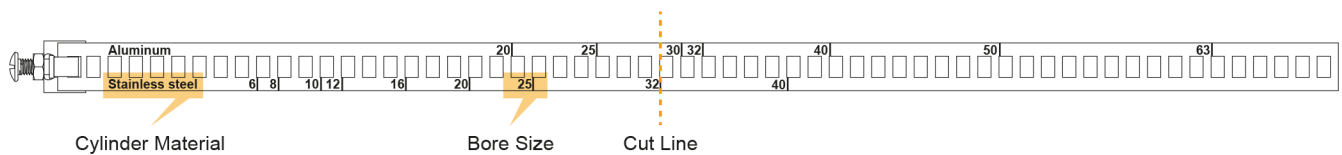
BKC-1 is designed for mounting BTC-07 & BTC-77 series sensor on round cylinder.



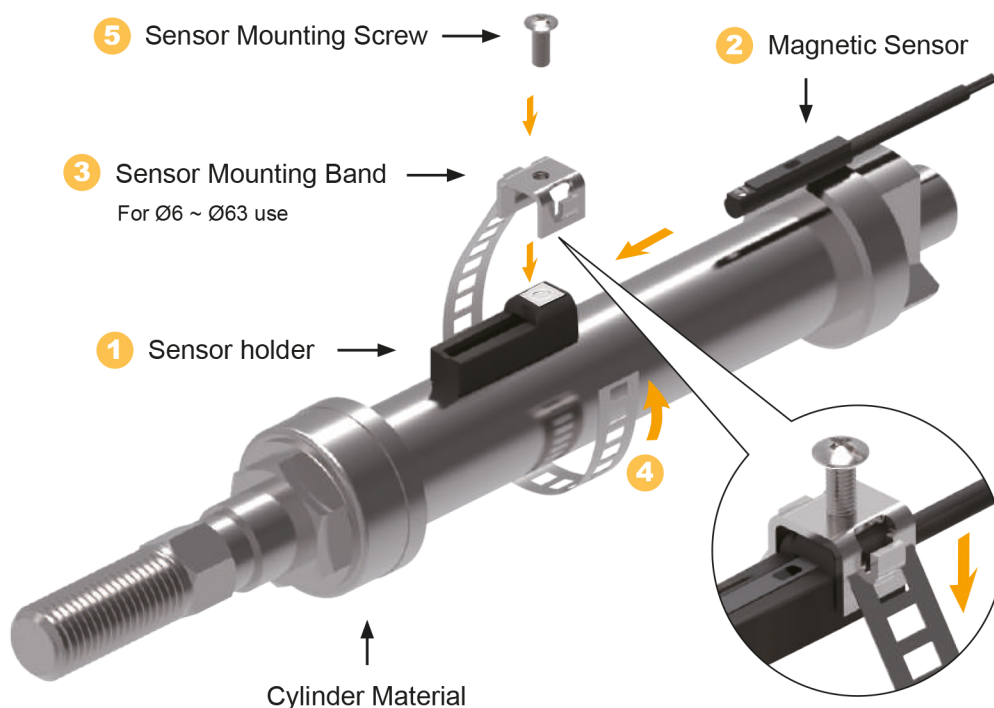
### How To Mount

**Example :** Use with Ø32 stainless body cylinder.

Refer to the clamp marking "Stainless steel 32", and cut off the excessive portion.



### Installation Steps



Unit : mm