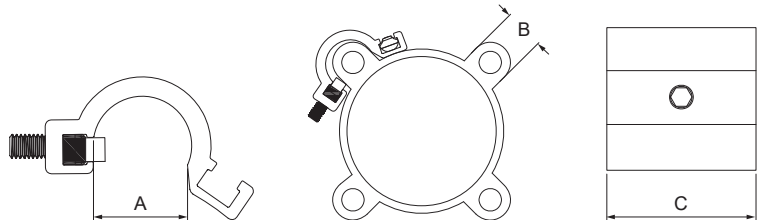
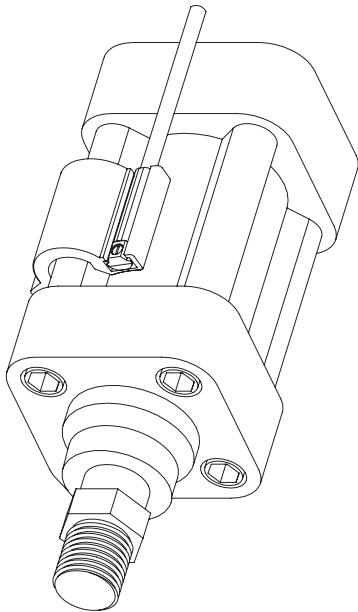


BRACKET SERIES



PF Series

Bracket is designed for mounting BTC-32 & BTC-40 & BTC-50 & BTC-65 & BTC-75 series sensor on ISO profile cylinder.

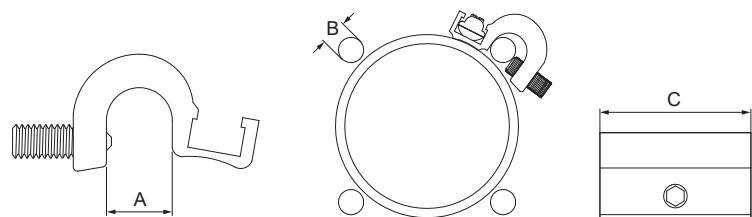
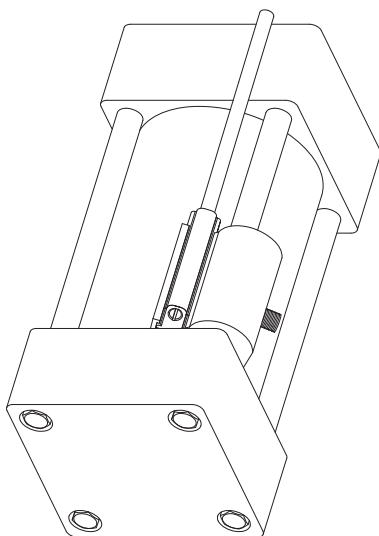


MODEL	DIM.	A	B	C	Remark
PF-1		12.1	10.4	25	Ø32 ~ Ø40
PF-2		15.9	13.5	25	Ø50 ~ Ø63
PF-3		16.3	15	25	Ø80
PF-4		17.9	16	25	Ø100
PF-5		19.7	18.7	25	Ø125

Unit : mm

DT Series

Bracket is designed for mounting BTC-32 & BTC-40 & BTC-50 & BTC-65 & BTC-75 series sensor on Tie-Rod cylinder.



MODEL	DIM.	A	B	C
DT-1		7.9	Ø4 ~ Ø6	25
DT-2		10.4	Ø8 ~ Ø10	25
DT-3		15.1	Ø12 ~ Ø14	25
DT-4		20.6	Ø16	25
DT-5		24.9	Ø20 ~ Ø24	30

Unit : mm