

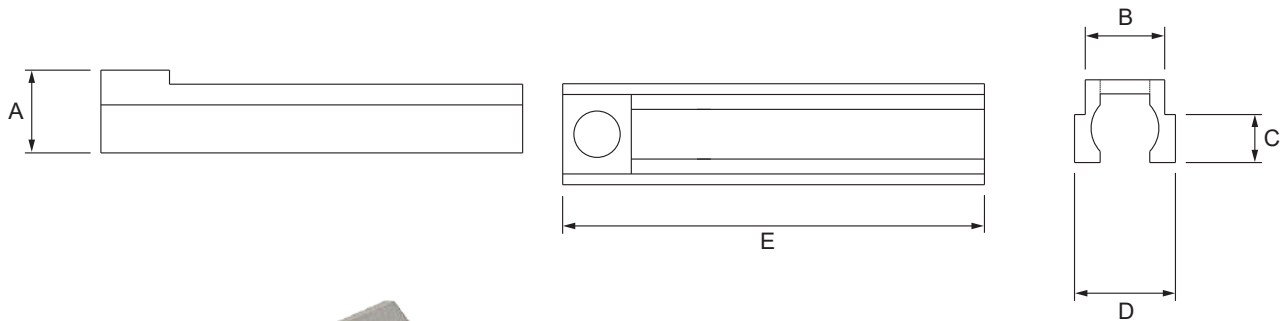
# BRACKET SERIES



## PB Series

PB-01 & PB-03 bracket is designed for mounting BTC-07 & BTC-16 & BTC-1001D series sensor on T-slot cylinder. PB-12 bracket is designed for mounting BTC-07 & BTC-16 & BTC-36 & BTC-37 & BTC-38 & BTC-39 & BTC-77 & BTC-1001D series sensor on T-slot cylinder.

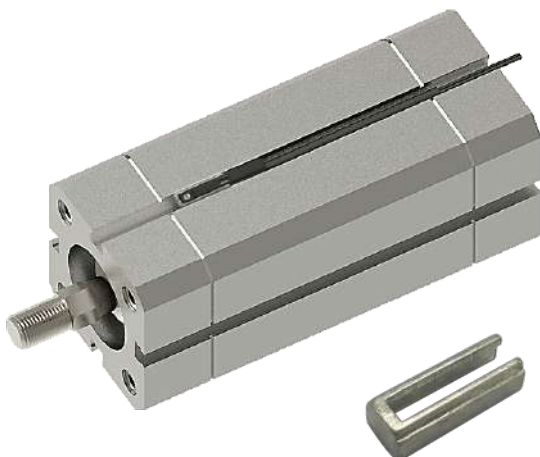
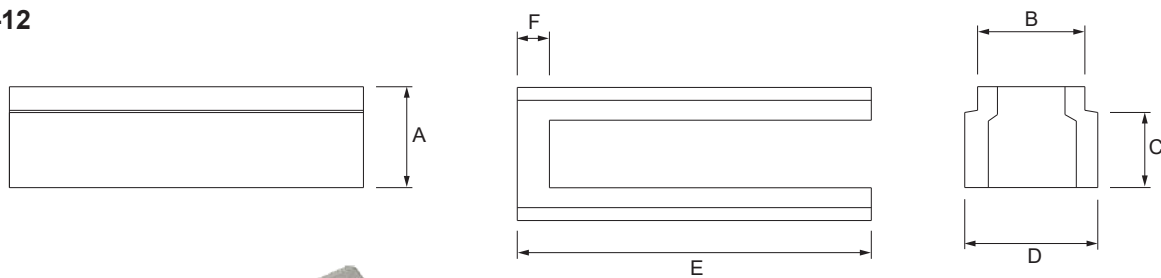
### ■ PB-01 & PB-03



MODEL	DIM.	A	B	C	D	E	Groove Dimensions
PB-01		5.0	4.8	2.9	6.1	25.5	
PB-03		5.0	4.8	3.8	6.1	25.5	

Unit : mm

### ■ PB-12



MODEL	DIM.	A	B	C	D	E	F	Groove Dimensions
PB-12		4.7	5.0	3.5	6.2	16.5	1.5	

Unit : mm