



Order example

RKN — □

MODEL

Blank: Reed Switch
N: NPN
P: PNP

WIRE LENGTH OF CABLE

Blank: L=2000mm

1M: L=1000mm

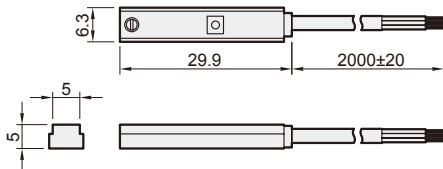
QD: M8 3PIN connector

EQD: M8 3PIN connector

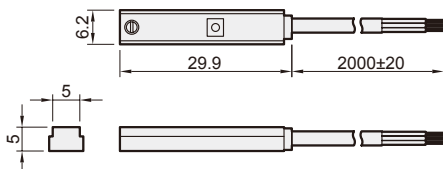
* Special order is available.

Dimension

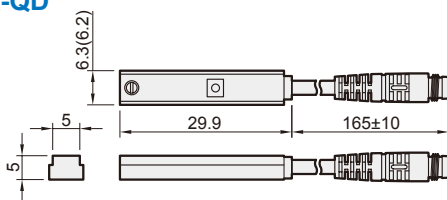
RK



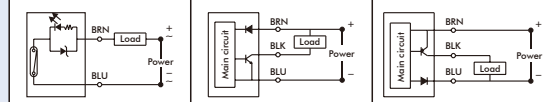
RKN, RKP



RK-QD



Specification

Model	RK	RKN	RKP
Wiring method	2 wire	3 wire	
Switching logic	SPST normally open	Solid state output, normally open	
Switch Type	Reed switch	NPN current sinking	PNP current sourcing
Operating voltage	5~240V DC/AC	10~30V DC	
Switching current	100mA max.		
Switching rating(*1)	10W max.	3W max.	
Current consumption	—	17mA@24V DC max.	8mA@24V DC max.
Voltage drop	3.5V max.	1.5V max.	
Leakage current	—	0.01mA max.	
Indicator	Red LED	Red LED	Green LED
Cable	ø3.3, 2C, PVC	ø3.3, 3C, PVC	
Temperature range	-10~+70°C (No freezing)		
Shock (*2)	30G	50G	
Vibration (*3)	9G		
Enclosure classification	IEC 60529 IP67		
Protection circuit (*4)	1	2, 3, 4	
Connect diagram			

*1. Warning: Never exceed rating (watt=voltage×amperage).

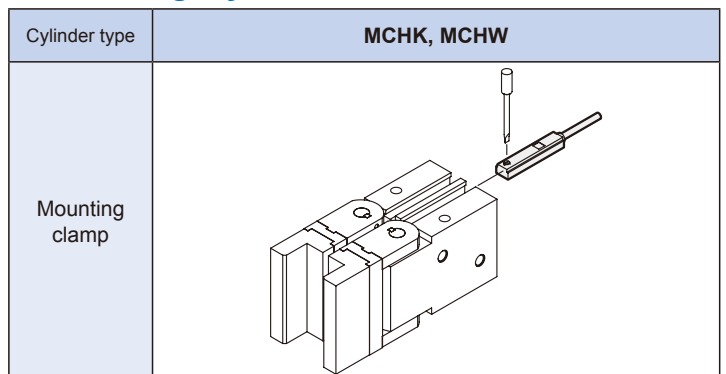
*2. Sin wave / X.Y.Z. 3 directions / 3 times each direction / 11ms each time.

*3. Double amplitude 1.5mm / 10Hz~55Hz~10Hz(Sweep 1min) / X.Y.Z. 3 directions / 1 hour each time.

*4. 1=None / 2=Short-circuit / 3=Power source reverse polarity / 4=Surge suppression

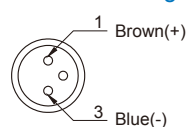
*5. Caution for safety please refer to the page 8-8~9.

Assembling style

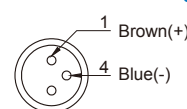


Wiring of the QD

• 2 wire QD wiring



• 2 wire EQD wiring



• 3 wire QD wiring

