

▶ MN SERIES MINI ENCLOSED LIMIT SWITCHES

◆ FEATURES

- Side mount switches.
- Momentary contacts.
- Wide choice of heads and actuators.
- Sealed actuators.
- Completely sealed structure.
- Plastic sealed construction.
- Temperature range +5°F to +175°F (-15°C to +80°C).

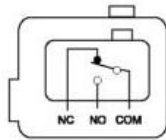


● MN-5100-P

◆ RATING

10A	250V AC
0.5A	125V DC

◆ CIRCUITRY



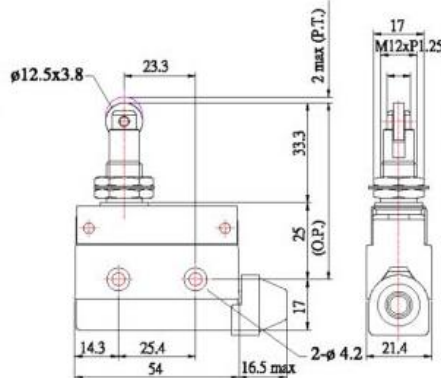
◆ ORDER GUIDE

● Standard type:

MN-5100	MN-5110	MN-5110L	MN-5110XL	MN-5120	MN-5121
MN-5124	MN-5140	MN-5141	MN-5144	MN-5161	MN-5166
MN-5169	MN-5310	MN-5311	MN-5312		

● Plastic head or roller type (custom made):

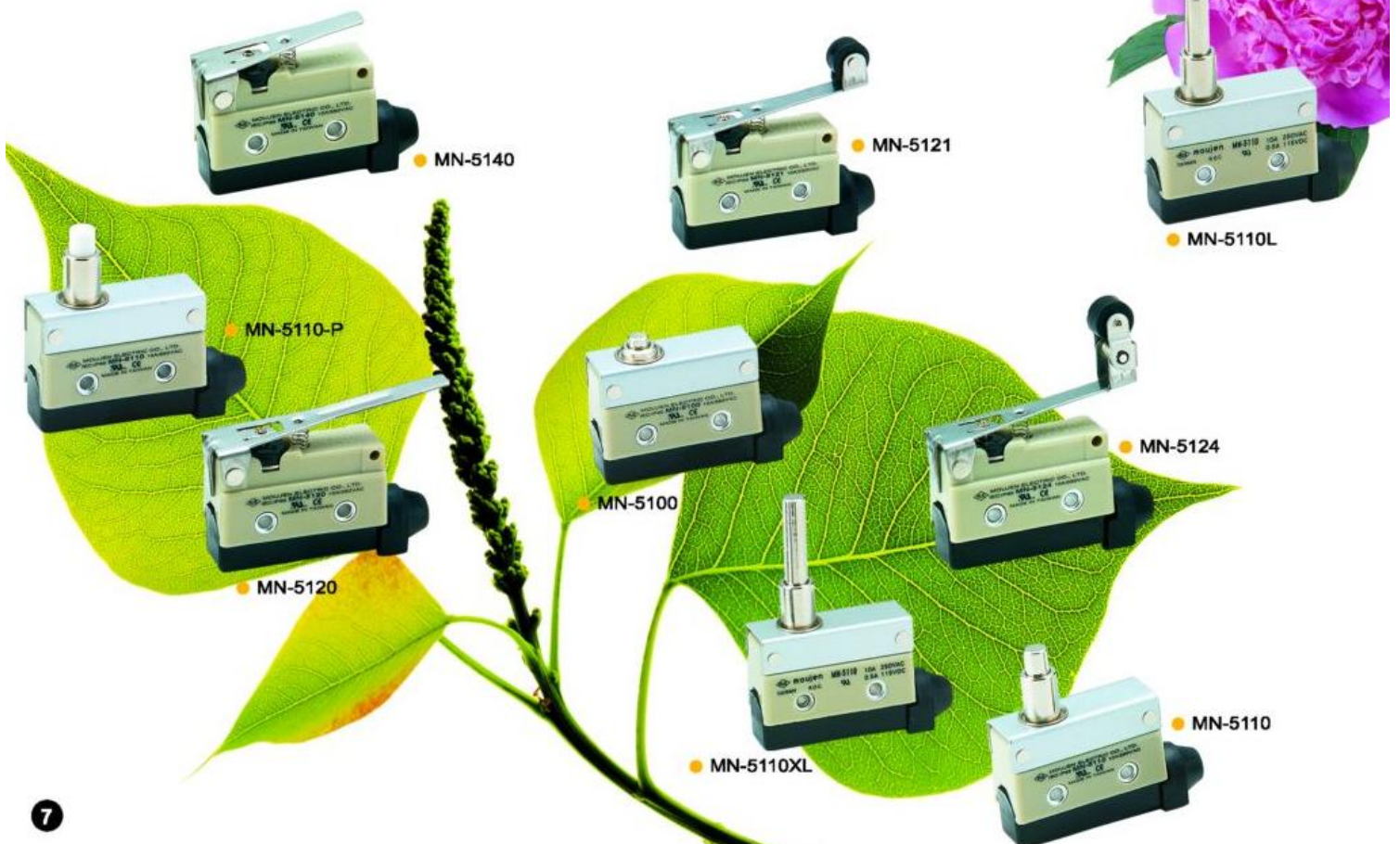
MN-5100-P	MN-5110-P	MN-5310-P	MN-5311-P	MN-5312-P
-----------	-----------	-----------	-----------	-----------



MN-5311 ROLLER PLUNGER

◆ CHARACTERISTICS

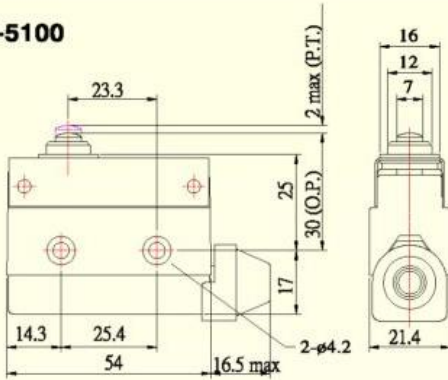
Operating speed	0.01mm to 50cm/sec (at pin plunger)
Operating frequency	120 operations/min.
Contact resistance	25m Ω max. (initial)
Insulation resistance	100M Ω min. (at 500 VDC)
Dielectric strength	1,000 VAC, 50/60 Hz for 1 minute between non-continuous terminals 2,000 VAC, 50/60 Hz for 1 minute between current-carrying and non-current carrying parts and between each terminal and ground
Vibration	Malfunction durability: 10 to 55Hz 1.5mm double amplitude
Shock	Mechanical durability: 1,000m/s ² (approx. 100G's) Malfunction durability: 300m/s ² (approx. 30G's)
Ambient operating temperature	Operating: -10°C to +80°C
Humidity	95% RH max, (at +20°C to 35°C)
Service life	Mechanically: 10,000,000 operations min. (at rated OT value) Electrically: 500,000 operations min.
Degree of protection	IEC: IP65



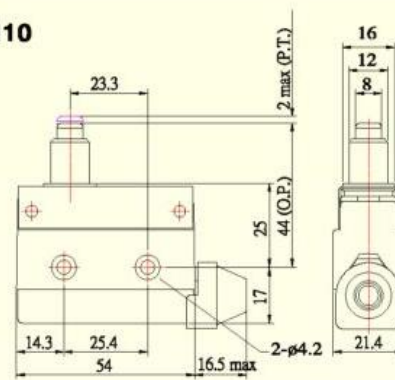
ORDER GUIDE

DIMENSIONS (mm)

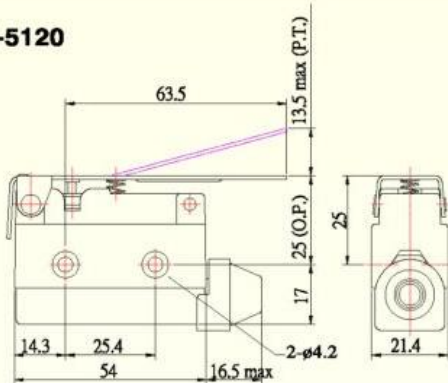
● MN-5100



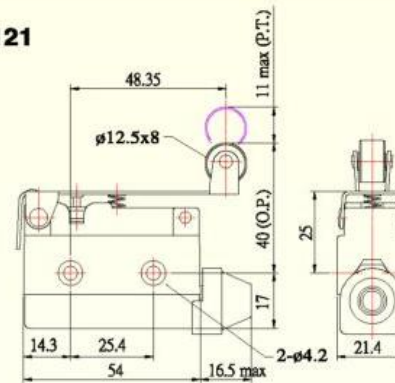
● MN-5110



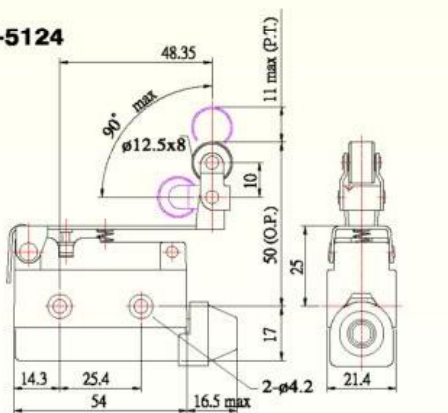
● MN-5120



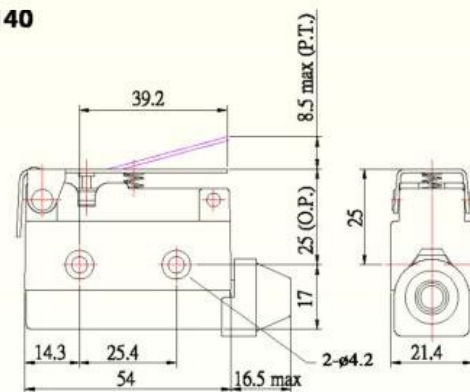
● MN-5121



● MN-5124



● MN-5140



OPERATING CHARACTERISTICS

MN-5100

OF MAX	600g
RF MIN	100g
PT MAX	2.0mm
OT MIN	0.8mm
DT MAX	0.8mm
OP	30 ± 1.5mm

MN-5110

MN-5110	MN-5110L	MN-5110XL
OF MAX	600g	600g
RF MIN	100g	100g
PT MAX	2.0mm	2.0mm
OT MIN	5.0mm	5.0mm
DT MAX	0.8mm	0.8mm
OP	44 ± 1.5mm	70mm

MN-5120

OF MAX	150g
RF MIN	40g
PT MAX	13.5mm
OT MIN	4.0mm
DT MAX	3.2mm
OP	25 ± 2.0mm

MN-5121

OF MAX	180g
RF MIN	50g
PT MAX	11.0mm
OT MIN	3.0mm
DT MAX	2.4mm
OP	40 ± 1.9mm

MN-5124

OF MAX	200g
RF MIN	60g
PT MAX	11.0mm
OT MIN	3.0mm
DT MAX	2.4mm
OP	50 ± 1.9mm

MN-5140

OF MAX	220g
RF MIN	60g
PT MAX	8.5mm
OT MIN	2.5mm
DT MAX	2.0mm
OP	25 ± 1.3mm

► MN SERIES MINI ENCLOSED LIMIT SWITCHES



ORDER GUIDE

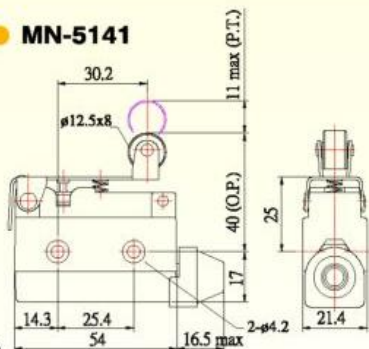
DIMENSIONS (mm)

OPERATING CHARACTERISTICS

DIMENSIONS (mm)

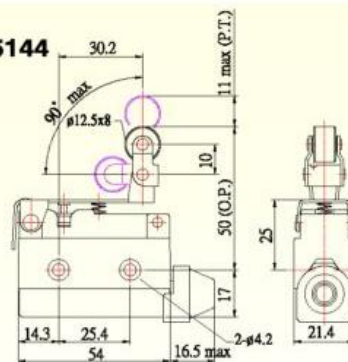
OPERATING CHARACTERISTICS

● MN-5141



OF MAX	240g
RF MIN	80g
PT MAX	6.5mm
OT MIN	2.0mm
DT MAX	1.5mm
OP	40 ± 1.6mm

● MN-5144

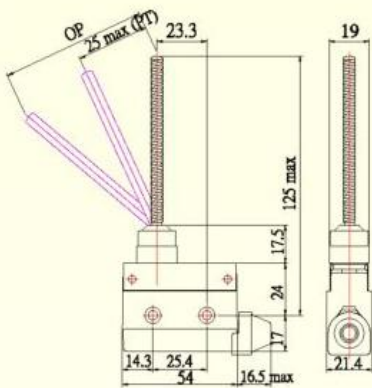


OF MAX	280g
RF MIN	100g
PT MAX	6.5mm
OT MIN	2.0mm
DT MAX	1.5mm
OP	50 ± 1.6mm

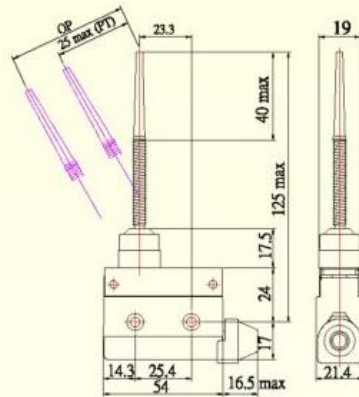
ORDER GUIDE

DIMENSIONS (mm)

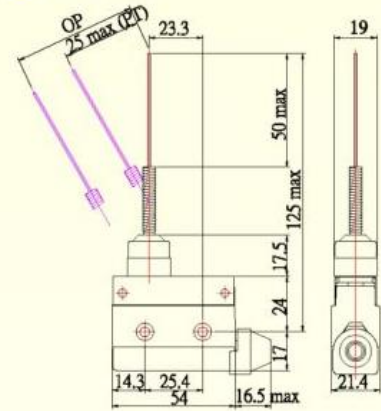
● MN-5161



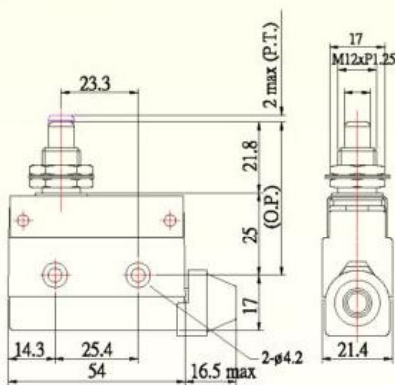
● MN-5166



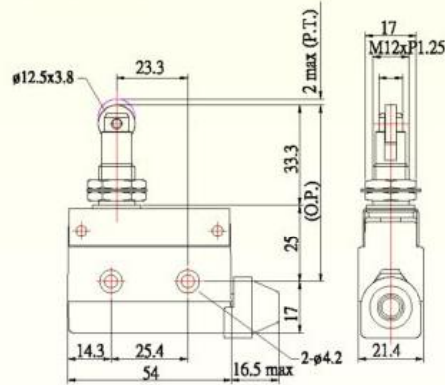
● MN-5169



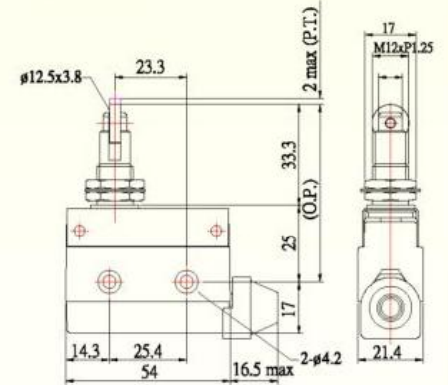
● MN-5310



● MN-5311



● MN-5312



OPERATING CHARACTERISTICS

	MN-5161
OF MAX	120g
RF MIN	-
PT MAX	25mm
OT MIN	11mm
DT MAX	-

	MN-5166
OF MAX	120g
RF MIN	-
PT MAX	25mm
OT MIN	11mm
DT MAX	-

	MN-5169
OF MAX	120g
RF MIN	-
PT MAX	25mm
OT MIN	11mm
DT MAX	-

	MN-5310
OF MAX	600g
RF MIN	100g
PT MAX	2.0mm
OT MIN	6.0mm
DT MAX	0.8mm
OP	46.8 ± 1.5mm

	MN-5311
OF MAX	600g
RF MIN	100g
PT MAX	2.0mm
OT MIN	6.0mm
DT MAX	0.8mm
OP	58.3 ± 1.5mm

	MN-5312
OF MAX	600g
RF MIN	100g
PT MAX	2.0mm
OT MIN	6.0mm
DT MAX	0.8mm
OP	58.3 ± 1.5mm